



# PARTS CATALOGUE

## YZ450FS '04 (5XD4) SOUTH AFRICA

---

YZ450F



A4

# FOREWORD

This Parts Catalogue is related to the parts for the model(s) on the cover page. When you are ordering replacement parts, please refer to this Parts Catalogue and quote both part numbers and part names correctly.

1. Modifications or additions which have been made after the issue of the Parts Catalogue will be announced in the Parts News.

It is advisable that you make the necessary corrections to the Parts Catalogue according to the Parts News.

2. Abbreviations

The following abbreviations are used in this Parts Catalogue.

“UR” Use specified parts number.

“UN” Use as many as needed.

“AP” Alternate Parts

“LM” Locally Made (Parts need to be ordered locally)

“F#” Frame No. (Applicable machine No.)

“O/S” Over Size

3. The number of components for assembly

- Parts, which are to be supplied in an assembly, are listed with a dot (.) in front of the part name as shown below.
- The numeral appearing to the right of each component part indicates the quantity of parts for each assembly unit.

| PART NO.     | DESCRIPTION              | Q'TY | REMARKS |
|--------------|--------------------------|------|---------|
| 2F5-83310-60 | FRONT FLASHER LIGHT ASSY | 2    |         |
| 115-83311-60 | .BULB (6V-18W)           | 1    |         |

4. Applicable colours of graphics are represented in the “REMARKS” as shown below.

| PART NO.        | DESCRIPTION         | Q'TY | REMARKS |
|-----------------|---------------------|------|---------|
| 2N4-24110-00-X5 | FUEL TANK COMP.     | 2    | MXR     |
| 3J1-24240-10    | .GRAPHIC, FUEL TANK | 1    | FOR MXR |

5. Note that the illustrations for reference in finding parts numbers are not to be used for assembling. When assembling, please use the applicable service manual.

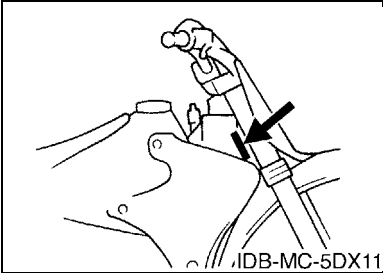
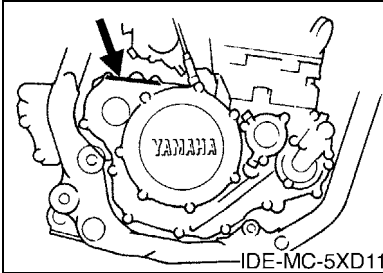
6. The asterisk (\*) before a reference number indicates modified items after the first edition.

# FOREWORD

7. Applicable Serial No.

Engine Serial No.

Frame Serial No.



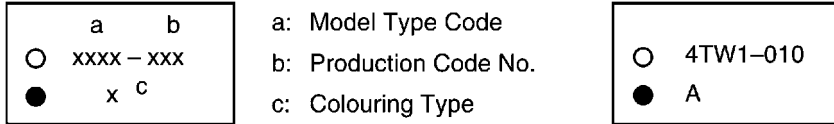
8. Applicable Colour Code (The (\*) mark shows Model colour.)

| Abbreviation | Colour Name                | Colour Code |
|--------------|----------------------------|-------------|
| DPBSE(*)     | DEEP PURPLISH BLUE SOLID E | 0583        |
|              |                            |             |
|              |                            |             |
|              |                            |             |
|              |                            |             |
|              |                            |             |
|              |                            |             |
|              |                            |             |
|              |                            |             |

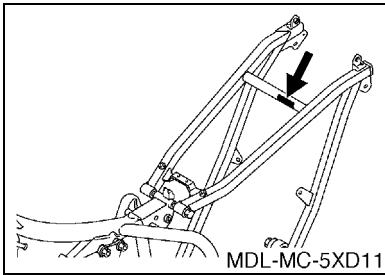
# MODEL LABEL

(1) A label called "Model Label" is affixed in the location as indicated in (3) below. When using this parts catalogue, please be sure to cross-reference the "model code – production code No." in the catalogue with the "model code – production code No." indicated on the Model Label affixed onto the product concerned.

(2) "Model Label" Indication



(3) Model Label Affixing Location



(4) Colouring Information

| Model Code | Colouring Type Code | Colour Code | Colour Name                | Abbreviation |
|------------|---------------------|-------------|----------------------------|--------------|
| 5XD1       | A                   | 0583        | DEEP PURPLISH BLUE SOLID E | DPBSE        |
| 5XD2       | A                   | 0583        | DEEP PURPLISH BLUE SOLID E | DPBSE        |
| 5XD3       | A                   | 0583        | DEEP PURPLISH BLUE SOLID E | DPBSE        |
| 5XD4       | A                   | 0583        | DEEP PURPLISH BLUE SOLID E | DPBSE        |
|            |                     |             |                            |              |
|            |                     |             |                            |              |
|            |                     |             |                            |              |
|            |                     |             |                            |              |
|            |                     |             |                            |              |
|            |                     |             |                            |              |

(5) Model Code – Production Code Number of Model Listed in This Parts Catalogue

| Model Code | Production Code No. | Country (destination) | Model Code | Production Code No. | Country (destination) |
|------------|---------------------|-----------------------|------------|---------------------|-----------------------|
| 5XD1       | 010                 | U.S.A.                |            |                     |                       |
| 5XD2       | 010                 | FRANCE                |            |                     |                       |
|            | 020                 | BELGIUM               |            |                     |                       |
|            | 030                 | GERMANY               |            |                     |                       |
|            | 040                 | SPAIN                 |            |                     |                       |
|            | 050                 | FINLAND               |            |                     |                       |
|            |                     | IRELAND               |            |                     |                       |
|            | 060                 | UNITED KINGDOM        |            |                     |                       |
|            | 070                 | GREECE                |            |                     |                       |
|            | 080                 | ITALY                 |            |                     |                       |
|            | 090                 | PORTUGAL              |            |                     |                       |
| 100        | SWEDEN              |                       |            |                     |                       |
| 5XD3       | 010                 | JAPAN                 |            |                     |                       |
| 5XD4       | 010                 | AUSTRALIA             |            |                     |                       |
|            |                     | NEW ZEALAND           |            |                     |                       |
|            |                     | <b>SOUTH AFRICA</b>   |            |                     |                       |
|            | 020                 | CANADA                |            |                     |                       |
|            |                     |                       |            |                     |                       |
|            |                     |                       |            |                     |                       |
|            |                     |                       |            |                     |                       |
|            |                     |                       |            |                     |                       |
|            |                     |                       |            |                     |                       |
|            |                     |                       |            |                     |                       |
|            |                     |                       |            |                     |                       |
|            |                     |                       |            |                     |                       |
|            |                     |                       |            |                     |                       |

# CONTENTS

## ENGINE

|                           |     |
|---------------------------|-----|
| CYLINDER .....            | B2  |
| CRANKSHAFT & PISTON ..... | B4  |
| VALVE .....               | B5  |
| CAMSHAFT & CHAIN .....    | B7  |
| WATER PUMP .....          | B8  |
| RADIATOR & HOSE .....     | B9  |
| OIL PUMP .....            | B10 |
| OIL CLEANER .....         | B11 |
| INTAKE .....              | B12 |
| CARBURETOR .....          | B13 |
| EXHAUST .....             | C4  |
| CRANKCASE .....           | C5  |
| CRANKCASE COVER 1 .....   | C6  |
| STARTER .....             | C8  |
| CLUTCH .....              | C9  |
| TRANSMISSION .....        | C10 |
| SHIFT CAM & FORK .....    | C12 |
| SHIFT SHAFT .....         | C13 |

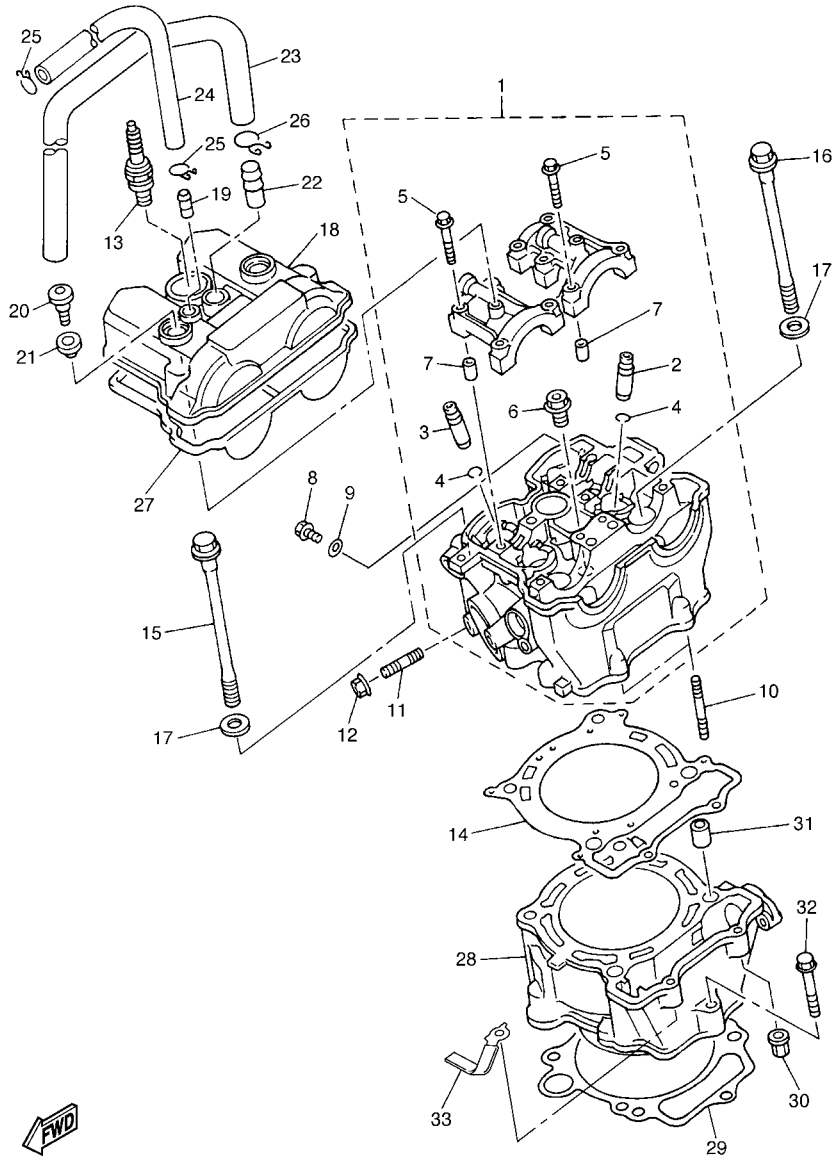
## CHASSIS

|                               |     |
|-------------------------------|-----|
| FRAME .....                   | C14 |
| FENDER .....                  | D2  |
| SIDE COVER .....              | D3  |
| REAR ARM .....                | D4  |
| REAR SUSPENSION .....         | D6  |
| STEERING .....                | D8  |
| FRONT FORK .....              | D9  |
| FUEL TANK .....               | D11 |
| SEAT .....                    | D13 |
| FRONT WHEEL .....             | D14 |
| FRONT BRAKE CALIPER .....     | D15 |
| REAR WHEEL .....              | E2  |
| REAR BRAKE CALIPER .....      | E4  |
| STEERING HANDLE & CABLE ..... | E5  |
| FRONT MASTER CYLINDER .....   | E6  |
| STAND & FOOTREST .....        | E7  |
| REAR MASTER CYLINDER .....    | E8  |
| GENERATOR .....               | E9  |
| HANDLE SWITCH & LEVER .....   | E10 |
| ELECTRICAL 1 .....            | E11 |
| ALTERNATE FOR CHASSIS .....   | E12 |

|                                   |     |
|-----------------------------------|-----|
| ALTERNATE DECOMPRESSION KIT ..... | E14 |
|-----------------------------------|-----|

## INDEX

|                       |    |
|-----------------------|----|
| NUMERICAL INDEX ..... | M1 |
|-----------------------|----|



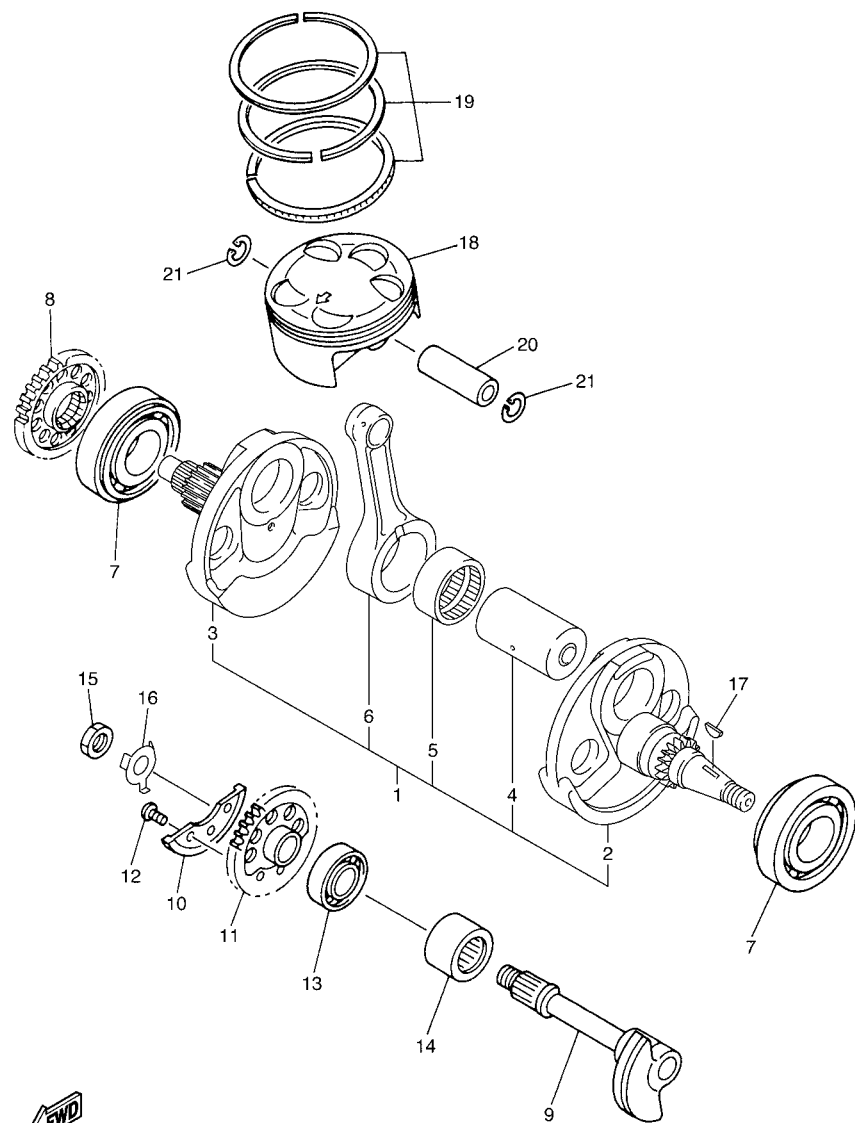
5XD1100-C010

FIG. 1 CYLINDER

| REF. NO. | PART NO.      | DESCRIPTION              | 5XD1 | 5XD2 | 5XD3 | 5XD4 | REMARKS |
|----------|---------------|--------------------------|------|------|------|------|---------|
| 1        | 5TA-11102-10  | CYLINDER HEAD ASSY       | 1    | 1    | 1    | 1    |         |
| 2        | 5TA-11133-10  | .GUIDE, VALVE 1          | 3    | 3    | 3    | 3    |         |
| 3        | 5TA-11134-10  | .GUIDE, VALVE 2          | 2    | 2    | 2    | 2    |         |
| 4        | 93440-10153   | .CIRCLIP                 | 5    | 5    | 5    | 5    |         |
| 5        | 90105-06027   | .BOLT, FLANGE            | 10   | 10   | 10   | 10   |         |
| 6        | 90340-12112   | .PLUG, STRAIGHT SCREW    | 1    | 1    | 1    | 1    |         |
| 7        | 91808-16023   | .PIN, DOWEL              | 4    | 4    | 4    | 4    |         |
| 8        | 95027-06010   | BOLT, FLANGE             | 1    | 1    | 1    | 1    |         |
| 9        | 90430-06014   | GASKET                   | 1    | 1    | 1    | 1    |         |
| 10       | 95617-06635   | BOLT, STUD               | 2    | 2    | 2    | 2    |         |
| 11       | 95617-08620   | BOLT, STUD               | 1    | 1    | 1    | 1    |         |
| 12       | 95707-08500   | NUT, FLANGE              | 1    | 1    | 1    | 1    |         |
| 13       | NGK-CR8E-PK10 | PLUG, SPARK (NGK R CR8E) |      |      |      | 1    | STD     |
| 14       | 5TA-11181-00  | GASKET, CYLINDER HEAD 1  | 1    | 1    | 1    | 1    |         |
| 15       | 90105-104A7   | BOLT, FLANGE             | 2    | 2    | 2    | 2    |         |
| 16       | 90105-106A3   | BOLT, FLANGE             | 2    | 2    | 2    | 2    |         |
| 17       | 90201-10025   | WASHER, PLATE            | 4    | 4    | 4    | 4    |         |
| 18       | 5TA-11191-00  | COVER, CYLINDER HEAD 1   | 1    | 1    | 1    | 1    |         |
| 19       | 5BE-11167-00  | PIPE, BREATHER 2         | 1    | 1    | 1    | 1    |         |
| 20       | 90109-066F0   | BOLT                     | 2    | 2    | 2    | 2    |         |
| 21       | 4KG-1111G-00  | RUBBER, MOUNT 1          | 2    | 2    | 2    | 2    |         |
| 22       | 371-11167-01  | PIPE, BREATHER 2         | 1    | 1    | 1    | 1    |         |
| 23       | 5TA-11166-00  | PIPE, BREATHER 1         | 1    | 1    | 1    | 1    |         |
| 24       | 90445-112K0   | HOSE (L285)              | 1    | 1    | 1    | 1    |         |



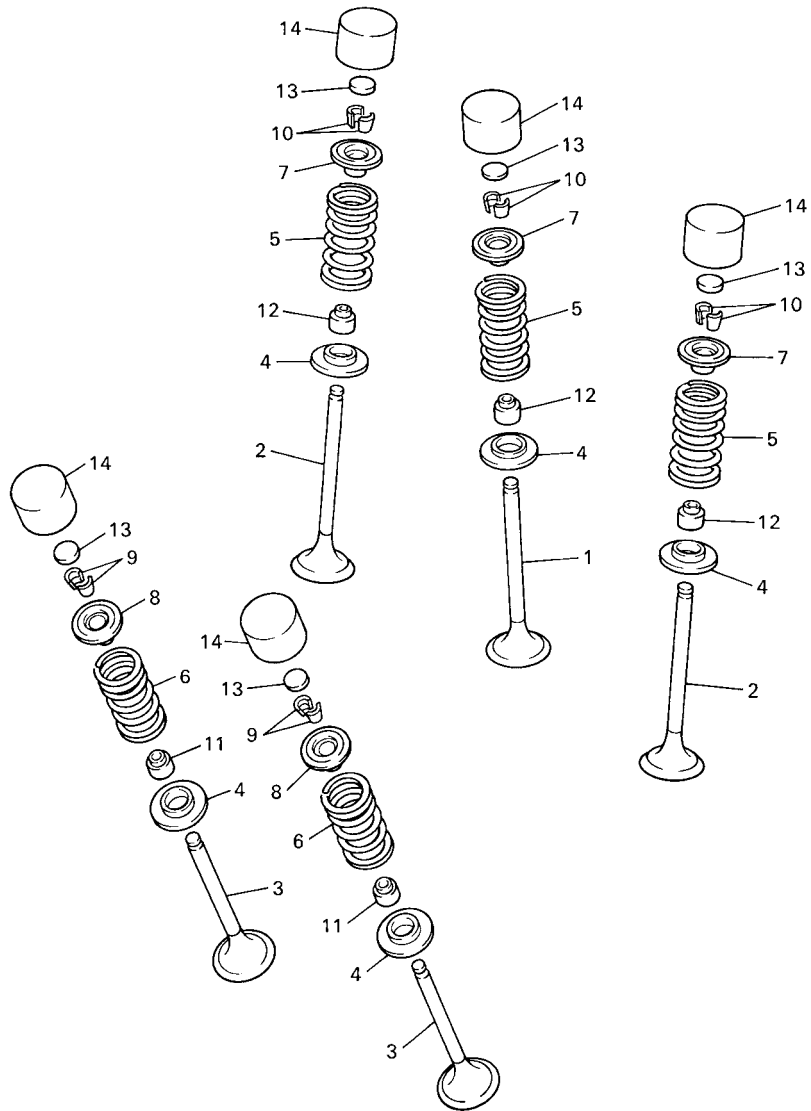




5TA1100-B020

FIG. 2 CRANKSHAFT & PISTON

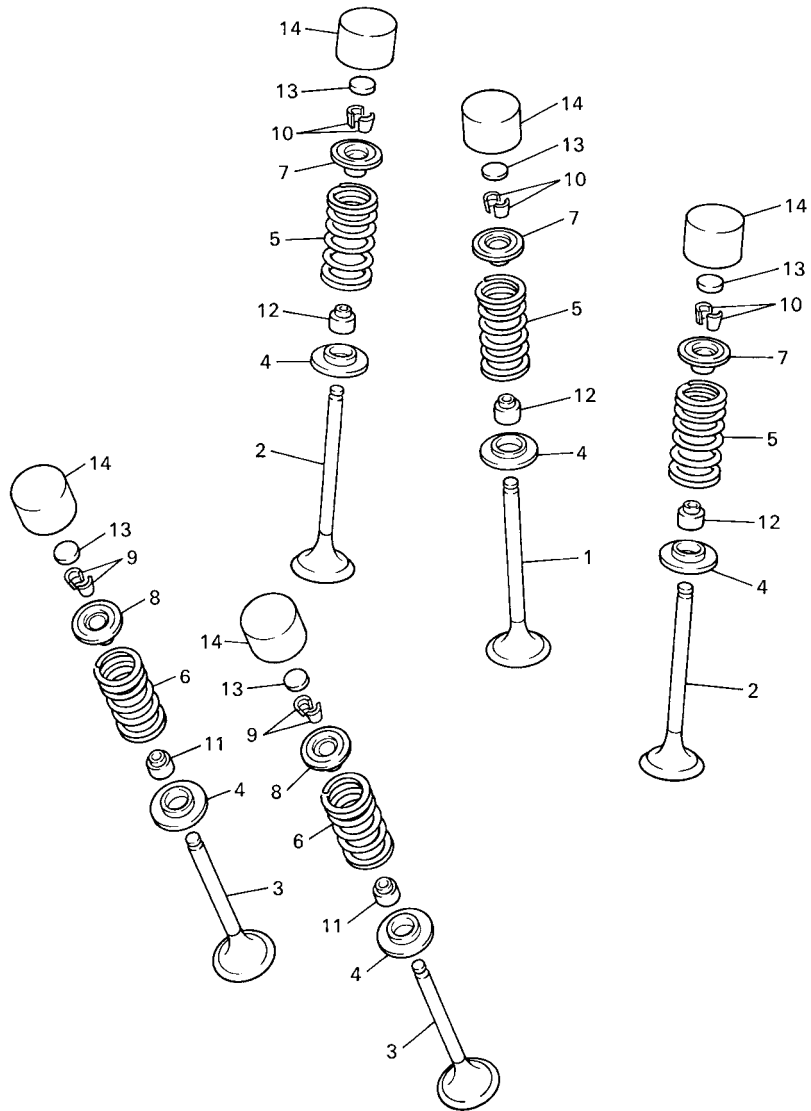
| REF. NO. | PART NO.     | DESCRIPTION           | 5XD1 | 5XD2 | 5XD3 | 5XD4 | REMARKS |
|----------|--------------|-----------------------|------|------|------|------|---------|
| 1        | 5XD-11400-00 | CRANKSHAFT ASSY       | 1    | 1    | 1    | 1    |         |
| 2        | 5TA-11412-00 | .CRANK 1              | 1    | 1    | 1    | 1    |         |
| 3        | 5TA-11422-00 | .CRANK 2              | 1    | 1    | 1    | 1    |         |
| 4        | 5TA-11681-00 | .PIN, CRANK 1         | 1    | 1    | 1    | 1    |         |
| 5        | 93310-63417  | .BEARING              | 1    | 1    | 1    | 1    |         |
| 6        | 5XD-11651-00 | .ROD, CONNECTING      | 1    | 1    | 1    | 1    |         |
| 7        | 93306-30633  | BEARING               | 2    | 2    | 2    | 2    |         |
| 8        | 5TA-11536-00 | GEAR, DRIVE           | 1    | 1    | 1    | 1    |         |
| 9        | 5TA-11455-11 | SHAFT 1               | 1    | 1    | 1    | 1    |         |
| 10       | 5BE-11454-00 | WEIGHT 1              | 1    | 1    | 1    | 1    |         |
| 11       | 5TA-11531-01 | GEAR, BALANCE WEIGHT  | 1    | 1    | 1    | 1    |         |
| 12       | 90149-06250  | SCREW                 | 3    | 3    | 3    | 3    |         |
| 13       | 93306-20335  | BEARING               | 1    | 1    | 1    | 1    |         |
| 14       | 93311-62574  | BEARING               | 1    | 1    | 1    | 1    |         |
| 15       | 90170-14171  | NUT                   | 1    | 1    | 1    | 1    |         |
| 16       | 90215-14287  | WASHER, LOCK          | 1    | 1    | 1    | 1    |         |
| 17       | 90280-03001  | KEY, WOODRUFF         | 1    | 1    | 1    | 1    |         |
| 18       | 5TJ-11631-00 | PISTON (STD)          | 1    | 1    | 1    | 1    |         |
| 19       | 5JG-11603-00 | PISTON RING SET (STD) | 1    | 1    | 1    | 1    |         |
| 20       | 5TA-11633-00 | PIN, PISTON           | 1    | 1    | 1    | 1    |         |
| 21       | 93420-18082  | CIRCLIP               | 2    | 2    | 2    | 2    |         |



5BE100-8030

FIG. 3 VALVE

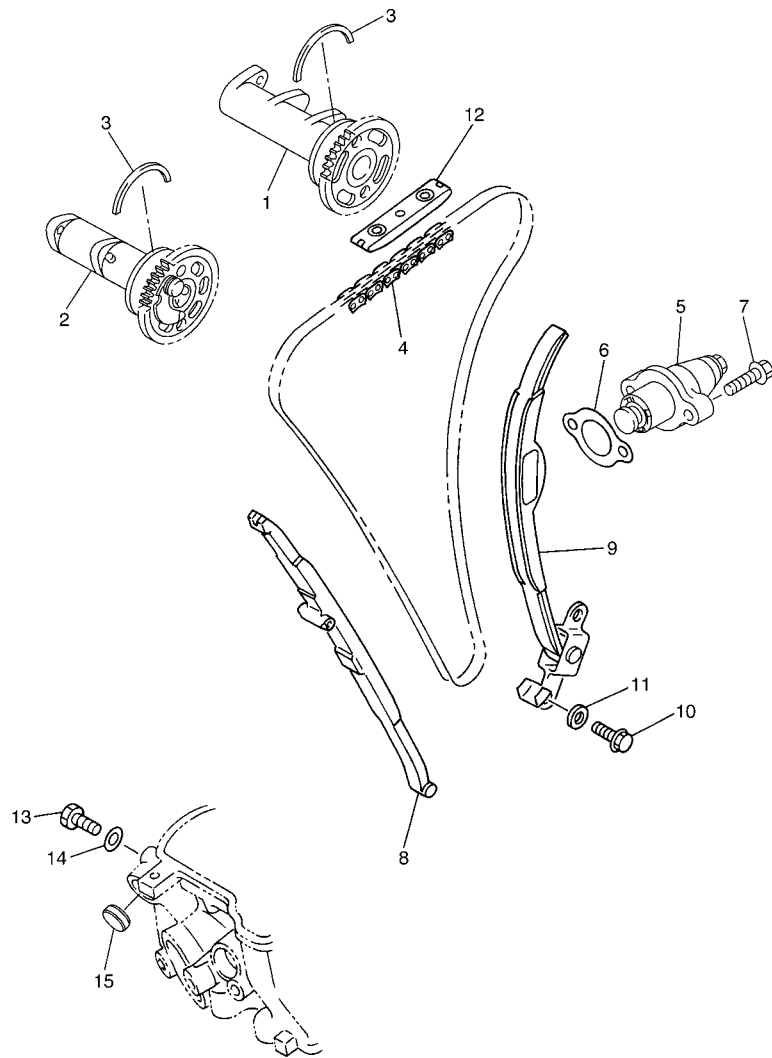
| REF. NO. | PART NO.     | DESCRIPTION            | 5XD1 | 5XD2 | 5XD3 | 5XD4 | REMARKS |
|----------|--------------|------------------------|------|------|------|------|---------|
| 1        | 5TA-12111-00 | VALVE, INTAKE          | 1    | 1    | 1    | 1    |         |
| 2        | 5TA-12112-00 | VALVE, INTAKE 2        | 2    | 2    | 2    | 2    |         |
| 3        | 5TA-12121-00 | VALVE, EXHAUST         | 2    | 2    | 2    | 2    |         |
| 4        | 3GM-12126-00 | SEAT, VALVE SPRING 2   | 5    | 5    | 5    | 5    |         |
| 5        | 5TA-12113-00 | SPRING, VALVE INNER    | 3    | 3    | 3    | 3    |         |
| 6        | 5TA-12114-00 | SPRING, VALVE OUTER    | 2    | 2    | 2    | 2    |         |
| 7        | 5BE-12117-00 | RETAINER, VALVE SPRING | 3    | 3    | 3    | 3    |         |
| 8        | 4GY-12117-00 | RETAINER, VALVE SPRING | 2    | 2    | 2    | 2    |         |
| 9        | 1AA-12118-00 | COTTER, VALVE          | 4    | 4    | 4    | 4    |         |
| 10       | 1WG-12118-00 | COTTER, VALVE          | 6    | 6    | 6    | 6    |         |
| 11       | 33M-12119-00 | SEAL, VALVE STEM       | 2    | 2    | 2    | 2    |         |
| 12       | 4SV-12119-00 | SEAL, VALVE STEM       | 3    | 3    | 3    | 3    |         |
| 13       | 3LD-12168-00 | PAD, ADJUSTING (1.20)  | 5    | 5    | 5    | 5    | UR      |
|          | 3LD-12168-20 | PAD, ADJUSTING (1.25)  | 5    | 5    | 5    | 5    | UR      |
|          | 3LD-12168-40 | PAD, ADJUSTING (1.30)  | 5    | 5    | 5    | 5    | UR      |
|          | 3LD-12168-60 | PAD, ADJUSTING (1.35)  | 5    | 5    | 5    | 5    | UR      |
|          | 3LD-12168-80 | PAD, ADJUSTING (1.40)  | 5    | 5    | 5    | 5    | UR      |
|          | 3LD-12168-A0 | PAD, ADJUSTING (1.45)  | 5    | 5    | 5    | 5    | UR      |
|          | 3LD-12168-F0 | PAD, ADJUSTING (1.50)  | 5    | 5    | 5    | 5    | UR      |
|          | 3LD-12168-H1 | PAD, ADJUSTING (1.55)  | 5    | 5    | 5    | 5    | UR      |
|          | 3LD-12168-K1 | PAD, ADJUSTING (1.60)  | 5    | 5    | 5    | 5    | UR      |
|          | 3LD-12168-M1 | PAD, ADJUSTING (1.65)  | 5    | 5    | 5    | 5    | UR      |
|          | 3LD-12168-R1 | PAD, ADJUSTING (1.70)  | 5    | 5    | 5    | 5    | UR      |
|          | 3LD-12168-U1 | PAD, ADJUSTING (1.75)  | 5    | 5    | 5    | 5    | UR      |
|          | 3LD-12168-W1 | PAD, ADJUSTING (1.80)  | 5    | 5    | 5    | 5    | UR      |
|          | 3LD-12168-Y1 | PAD, ADJUSTING (1.85)  | 5    | 5    | 5    | 5    | UR      |
|          | 3LD-12169-11 | PAD, ADJUSTING (1.90)  | 5    | 5    | 5    | 5    | UR      |



5BE100-8030

FIG. 3 VALVE

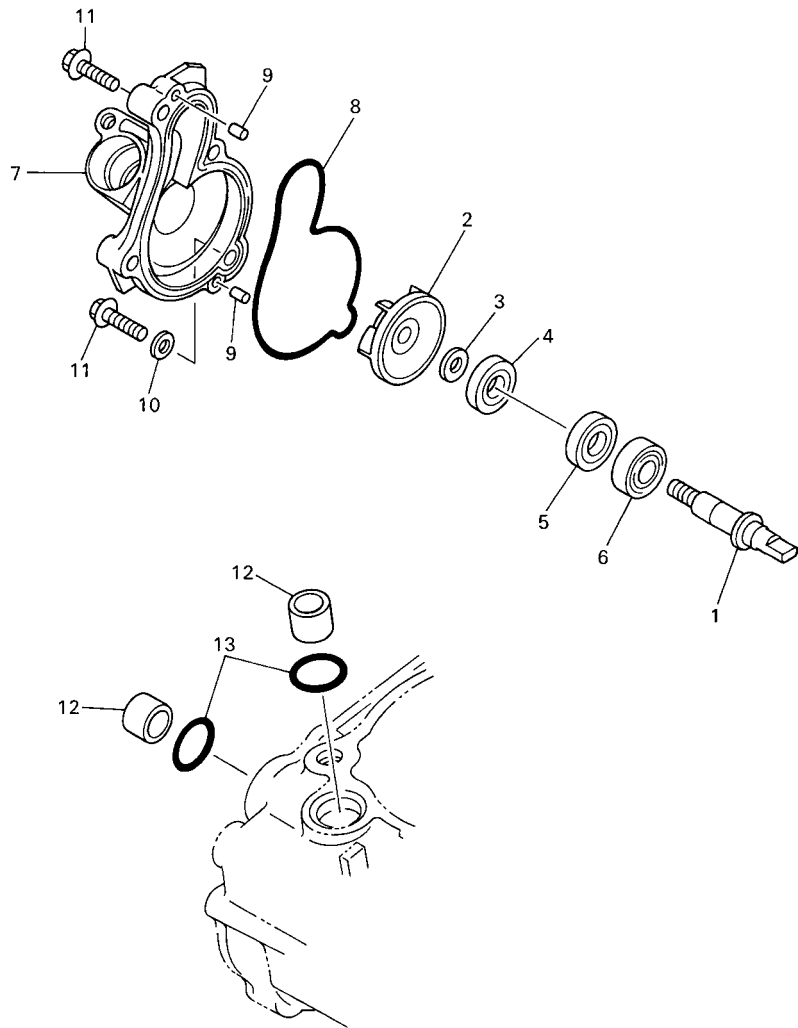
| REF. NO. | PART NO.     | DESCRIPTION           | 5XD1 | 5XD2 | 5XD3 | 5XD4 | REMARKS |
|----------|--------------|-----------------------|------|------|------|------|---------|
| 13       | 3LD-12169-31 | PAD, ADJUSTING (1.95) | 5    | 5    | 5    | 5    | UR      |
|          | 3LD-12169-50 | PAD, ADJUSTING (2.00) | 5    | 5    | 5    | 5    | UR      |
|          | 3LD-12169-70 | PAD, ADJUSTING (2.05) | 5    | 5    | 5    | 5    | UR      |
|          | 3LD-12169-90 | PAD, ADJUSTING (2.10) | 5    | 5    | 5    | 5    | UR      |
|          | 3LD-12169-E0 | PAD, ADJUSTING (2.15) | 5    | 5    | 5    | 5    | UR      |
|          | 3LD-12169-G0 | PAD, ADJUSTING (2.20) | 5    | 5    | 5    | 5    | UR      |
|          | 3LD-12169-J0 | PAD, ADJUSTING (2.25) | 5    | 5    | 5    | 5    | UR      |
|          | 3LD-12169-L0 | PAD, ADJUSTING (2.30) | 5    | 5    | 5    | 5    | UR      |
|          | 3LD-12169-N0 | PAD, ADJUSTING (2.35) | 5    | 5    | 5    | 5    | UR      |
|          | 3LD-12169-T0 | PAD, ADJUSTING (2.40) | 5    | 5    | 5    | 5    | UR      |
| 14       | 3FV-12153-10 | LIFTER, VALVE         | 5    | 5    | 5    | 5    | YELLOW  |
|          |              |                       |      |      |      |      |         |
|          |              |                       |      |      |      |      |         |
|          |              |                       |      |      |      |      |         |
|          |              |                       |      |      |      |      |         |



5TA1100-B040

FIG. 4 CAMSHAFT & CHAIN

| REF. NO. | PART NO.     | DESCRIPTION               | 5XD1 | 5XD2 | 5XD3 | 5XD4 | REMARKS |
|----------|--------------|---------------------------|------|------|------|------|---------|
| 1        | 5TA-12170-00 | CAMSHAFT ASSY 1           | 1    | 1    | 1    | 1    |         |
| 2        | 5TA-12180-00 | CAMSHAFT ASSY 2           | 1    | 1    | 1    | 1    |         |
| 3        | 93440-41178  | CIRCLIP                   | 2    | 2    | 2    | 2    |         |
| 4        | 94591-57118  | CHAIN (98XRH2010-118M)    | 1    | 1    | 1    | 1    |         |
| 5        | 5TA-12210-00 | TENSIONER ASSY, CAM CHAIN | 1    | 1    | 1    | 1    |         |
| 6        | 4FM-12213-00 | GASKET, TENSIONER CASE    | 1    | 1    | 1    | 1    |         |
| 7        | 95027-06025  | BOLT, FLANGE              | 2    | 2    | 2    | 2    |         |
| 8        | 5TA-12251-01 | DAMPER, CHAIN 1           | 1    | 1    | 1    | 1    |         |
| 9        | 5TA-12252-00 | DAMPER, CHAIN 2           | 1    | 1    | 1    | 1    |         |
| 10       | 97027-06016  | BOLT                      | 2    | 2    | 2    | 2    |         |
| 11       | 92907-06600  | WASHER, PLATE             | 2    | 2    | 2    | 2    |         |
| 12       | 5BE-12241-00 | GUIDE, STOPPER 2          | 1    | 1    | 1    | 1    |         |
| 13       | 90109-06418  | BOLT                      | 1    | 1    | 1    | 1    |         |
| 14       | 90430-06014  | GASKET                    | 1    | 1    | 1    | 1    |         |
| 15       | 90338-18064  | PLUG                      | 1    | 1    | 1    | 1    |         |
|          |              |                           |      |      |      |      |         |
|          |              |                           |      |      |      |      |         |
|          |              |                           |      |      |      |      |         |
|          |              |                           |      |      |      |      |         |



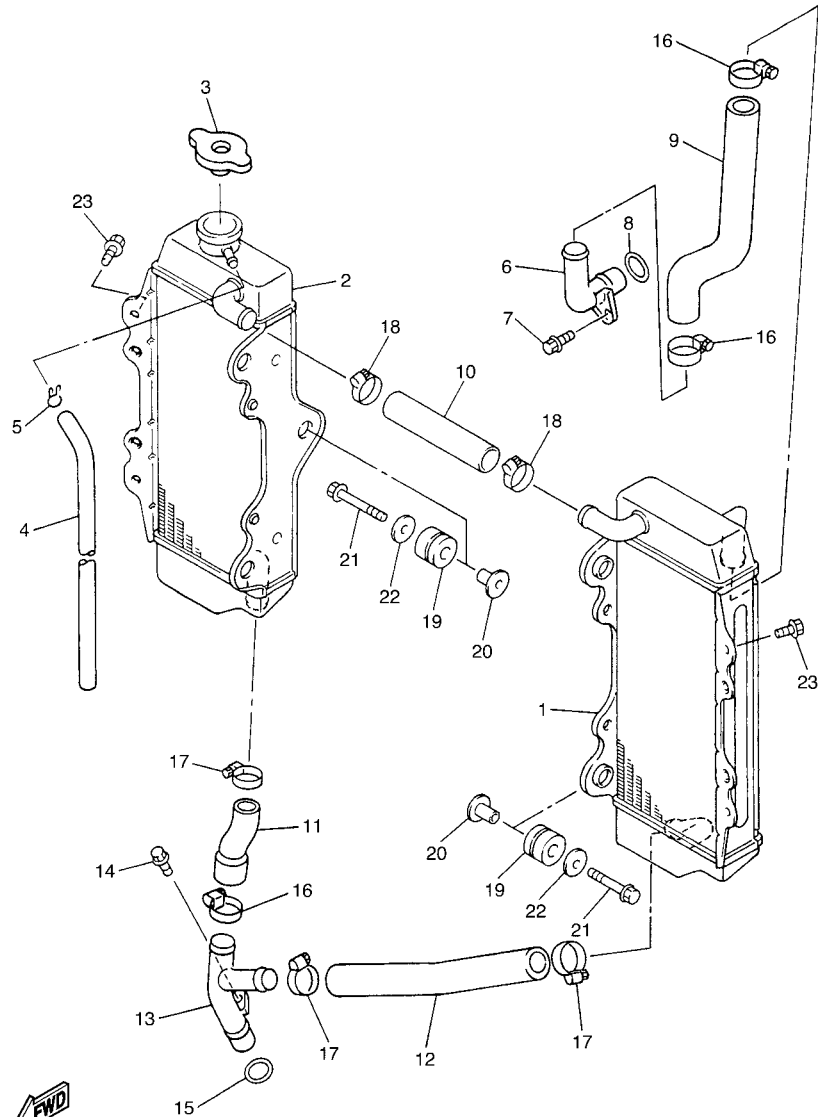
**FIG. 5 WATER PUMP**

| REF. NO. | PART NO.     | DESCRIPTION              | 5XD1 | 5XD2 | 5XD3 | 5XD4 | REMARKS |
|----------|--------------|--------------------------|------|------|------|------|---------|
| 1        | 5GR-12458-00 | SHAFT, IMPELLER          | 1    | 1    | 1    | 1    |         |
| 2        | 5DJ-12451-00 | IMPELLER, WATER PUMP     | 1    | 1    | 1    | 1    |         |
| 3        | 90201-08512  | WASHER, PLATE            | 1    | 1    | 1    | 1    |         |
| 4        | 93109-11073  | OIL SEAL                 | 1    | 1    | 1    | 1    |         |
| 5        | 93102-12106  | OIL SEAL (SD 12-22-5 HS) | 1    | 1    | 1    | 1    |         |
| 6        | 93306-00105  | BEARING (B6001)          | 1    | 1    | 1    | 1    |         |
| 7        | 5BE-12422-20 | COVER, HOUSING           | 1    | 1    | 1    | 1    |         |
| 8        | 5BE-12439-00 | O-RING                   | 1    | 1    | 1    | 1    |         |
| 9        | 93604-10011  | PIN, DOWEL               | 2    | 2    | 2    | 2    |         |
| 10       | 90430-06014  | GASKET                   | 1    | 1    | 1    | 1    |         |
| 11       | 95027-06030  | BOLT, FLANGE             | 4    | 4    | 4    | 4    |         |
| 12       | 5BE-12564-00 | PIPE, WATER              | 2    | 2    | 2    | 2    |         |
| 13       | 93210-19758  | O-RING                   | 2    | 2    | 2    | 2    |         |
|          |              |                          |      |      |      |      |         |
|          |              |                          |      |      |      |      |         |
|          |              |                          |      |      |      |      |         |
|          |              |                          |      |      |      |      |         |



5BE100-8050

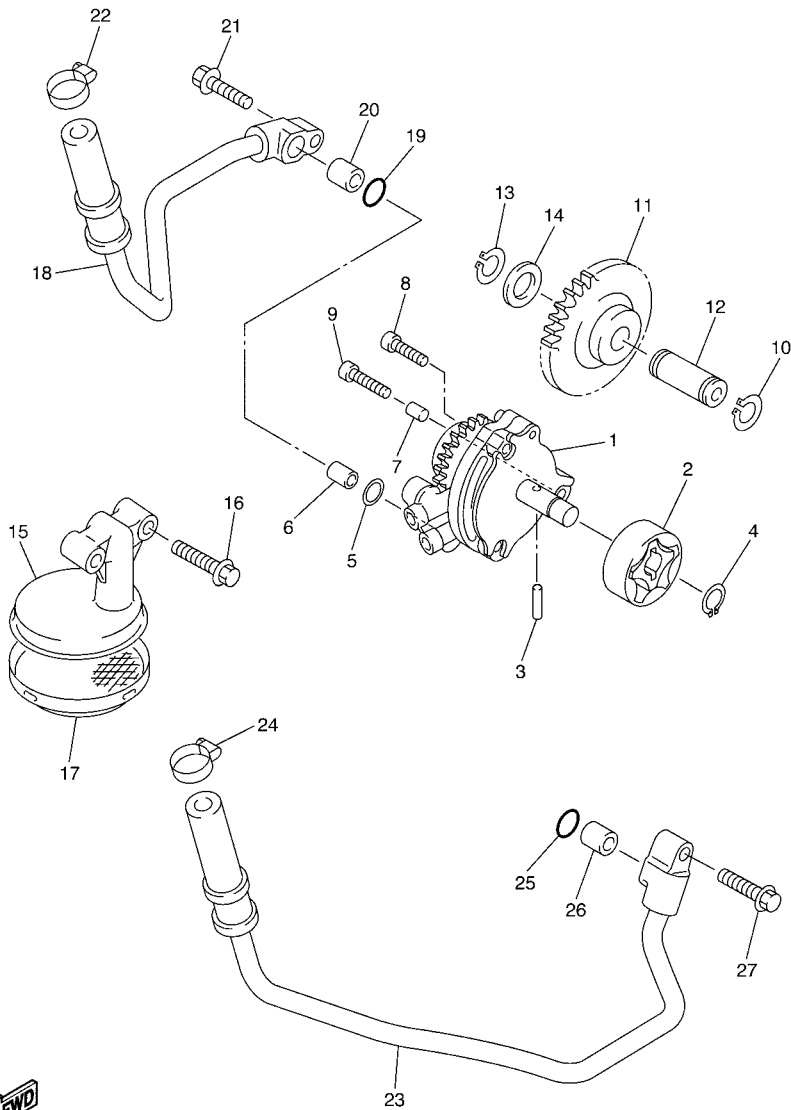
**FIG. 6 RADIATOR & HOSE**



5TA1100-B060

| REF. NO. | PART NO.     | DESCRIPTION          | 5XD1 | 5XD2 | 5XD3 | 5XD4 | REMARKS |
|----------|--------------|----------------------|------|------|------|------|---------|
| 1        | 5TA-1240A-00 | RADIATOR ASSY        | 1    | 1    | 1    | 1    |         |
| 2        | 5TA-12461-00 | RADIATOR ASSY        | 1    | 1    | 1    | 1    |         |
| 3        | 5HD-12462-00 | CAP, RADIATOR        | 1    | 1    | 1    | 1    |         |
| 4        | 91A20-05065  | TUBE, FLEXIBLE VINYL | 1    | 1    | 1    | 1    |         |
| 5        | 90467-09006  | CLIP                 | 1    | 1    | 1    | 1    |         |
| 6        | 5TA-12481-00 | PIPE 1               | 1    | 1    | 1    | 1    |         |
| 7        | 95027-06012  | BOLT, FLANGE         | 1    | 1    | 1    | 1    |         |
| 8        | 93210-16500  | O-RING               | 1    | 1    | 1    | 1    |         |
| 9        | 5TA-12576-00 | HOSE 1               | 1    | 1    | 1    | 1    |         |
| 10       | 5SG-12579-00 | HOSE 4               | 1    | 1    | 1    | 1    |         |
| 11       | 5TA-12578-00 | HOSE 3               | 1    | 1    | 1    | 1    |         |
| 12       | 5TA-12579-00 | HOSE 4               | 1    | 1    | 1    | 1    |         |
| 13       | 5TA-12482-00 | PIPE 2               | 1    | 1    | 1    | 1    |         |
| 14       | 95027-06012  | BOLT, FLANGE         | 1    | 1    | 1    | 1    |         |
| 15       | 93210-16500  | O-RING               | 1    | 1    | 1    | 1    |         |
| 16       | 90450-28014  | HOSE CLAMP ASSY      | 3    | 3    | 3    | 3    |         |
| 17       | 90450-25037  | HOSE CLAMP ASSY      | 3    | 3    | 3    | 3    |         |
| 18       | 90450-22017  | HOSE CLAMP ASSY      | 2    | 2    | 2    | 2    |         |
| 19       | 90480-15528  | GROMMET              | 6    | 6    | 6    | 6    |         |
| 20       | 90387-06065  | COLLAR               | 6    | 6    | 6    | 6    |         |
| 21       | 95027-06025  | BOLT, FLANGE         | 6    | 6    | 6    | 6    |         |
| 22       | 90201-06571  | WASHER, PLATE        | 6    | 6    | 6    | 6    |         |
| 23       | 95827-06010  | BOLT, FLANGE         | 2    | 2    | 2    | 2    |         |

FIG. 7 OIL PUMP



5TA1100-B070

| REF. NO. | PART NO.     | DESCRIPTION               | 5XD1 | 5XD2 | 5XD3 | 5XD4 | REMARKS |
|----------|--------------|---------------------------|------|------|------|------|---------|
| 1        | 5TA-13300-00 | OIL PUMP ASSY             | 1    | 1    | 1    | 1    |         |
| 2        | 5TA-13320-00 | ROTOR ASSY 2              | 1    | 1    | 1    | 1    |         |
| 3        | 93603-16219  | PIN, DOWEL                | 1    | 1    | 1    | 1    |         |
| 4        | 93440-10153  | CIRCLIP                   | 1    | 1    | 1    | 1    |         |
| 5        | 93210-10197  | O-RING                    | 1    | 1    | 1    | 1    |         |
| 6        | 99530-10114  | PIN, DOWEL                | 1    | 1    | 1    | 1    |         |
| 7        | 99530-08012  | PIN, DOWEL                | 1    | 1    | 1    | 1    |         |
| 8        | 90110-06058  | BOLT, HEXAGON SOCKET HEAD | 2    | 2    | 2    | 2    |         |
| 9        | 91314-06030  | BOLT                      | 1    | 1    | 1    | 1    |         |
| 10       | 99001-08600  | CIRCLIP                   | 1    | 1    | 1    | 1    |         |
| 11       | 5TA-13341-00 | GEAR, OIL PUMP IDLE       | 1    | 1    | 1    | 1    |         |
| 12       | 5BE-13342-00 | SHAFT, IDLE GEAR          | 1    | 1    | 1    | 1    |         |
| 13       | 99009-12400  | CIRCLIP                   | 1    | 1    | 1    | 1    |         |
| 14       | 90201-12166  | WASHER, PLATE             | 1    | 1    | 1    | 1    |         |
| 15       | 5TA-13412-00 | HOUSING, STRAINER         | 1    | 1    | 1    | 1    |         |
| 16       | 95027-06025  | BOLT, FLANGE              | 2    | 2    | 2    | 2    |         |
| 17       | 5BE-13411-00 | STRAINER, OIL             | 1    | 1    | 1    | 1    |         |
| 18       | 5TA-13464-00 | HOSE, OIL 1               | 1    | 1    | 1    | 1    |         |
| 19       | 93210-10197  | O-RING                    | 1    | 1    | 1    | 1    |         |
| 20       | 99530-10114  | PIN, DOWEL                | 1    | 1    | 1    | 1    |         |
| 21       | 95027-06025  | BOLT, FLANGE              | 1    | 1    | 1    | 1    |         |
| 22       | 90450-22017  | HOSE CLAMP ASSY           | 1    | 1    | 1    | 1    |         |
| 23       | 5TA-13465-00 | HOSE, OIL 2               | 1    | 1    | 1    | 1    |         |
| 24       | 90450-22017  | HOSE CLAMP ASSY           | 1    | 1    | 1    | 1    |         |
| 25       | 93210-10197  | O-RING                    | 1    | 1    | 1    | 1    |         |
| 26       | 99530-10114  | PIN, DOWEL                | 1    | 1    | 1    | 1    |         |
| 27       | 95027-06025  | BOLT, FLANGE              | 1    | 1    | 1    | 1    |         |

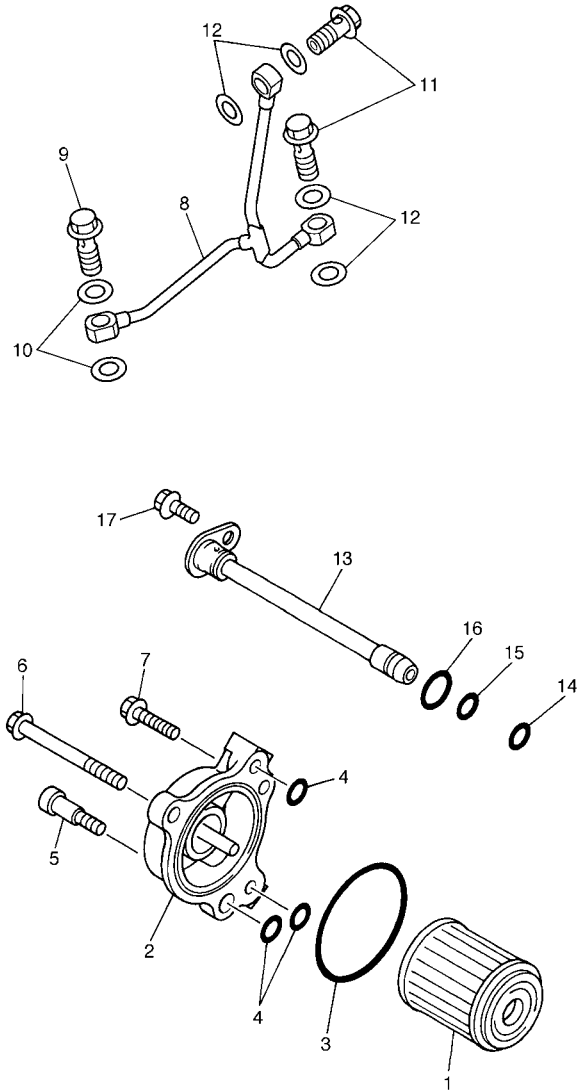


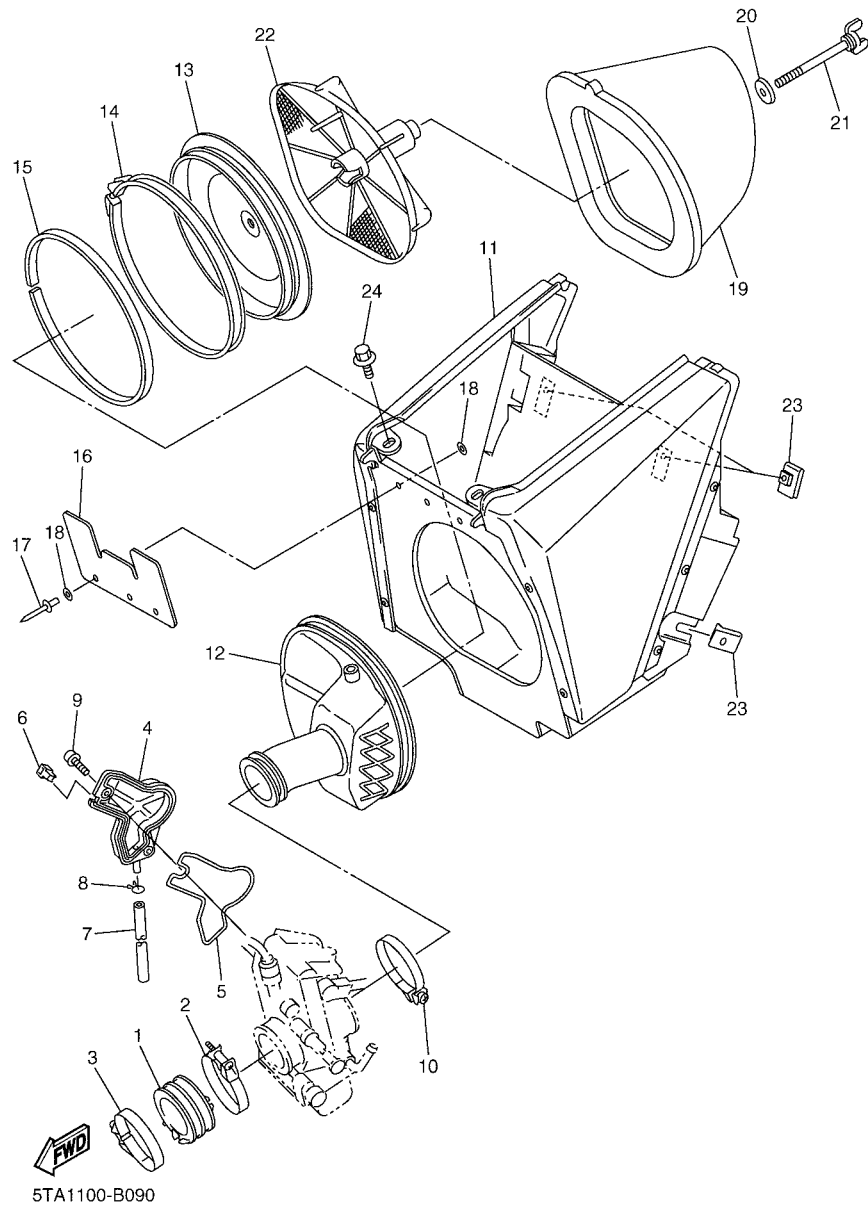
FIG. 8 OIL CLEANER

| REF. NO. | PART NO.     | DESCRIPTION               | 5XD1 | 5XD2 | 5XD3 | 5XD4 | REMARKS |
|----------|--------------|---------------------------|------|------|------|------|---------|
| 1        | 5TA-13440-00 | ELEMENT ASSY, OIL CLEANER | 1    | 1    | 1    | 1    |         |
| 2        | 5BE-13447-10 | COVER, OIL ELEMENT        | 1    | 1    | 1    | 1    |         |
| 3        | 93210-47675  | O-RING                    | 1    | 1    | 1    | 1    |         |
| 4        | 93210-07135  | O-RING                    | 3    | 3    | 3    | 3    |         |
| 5        | 90109-065G2  | BOLT                      | 1    | 1    | 1    | 1    |         |
| 6        | 95027-06065  | BOLT, FLANGE              | 1    | 1    | 1    | 1    |         |
| 7        | 95027-06020  | BOLT, FLANGE              | 1    | 1    | 1    | 1    |         |
| 8        | 5TG-13161-00 | PIPE, DELIVERY 1          | 1    | 1    | 1    | 1    |         |
| 9        | 90401-10159  | BOLT, UNION               | 1    | 1    | 1    | 1    |         |
| 10       | 90430-10188  | GASKET                    | 2    | 2    | 2    | 2    |         |
| 11       | 90401-08038  | BOLT, UNION               | 2    | 2    | 2    | 2    |         |
| 12       | 90430-08119  | GASKET                    | 4    | 4    | 4    | 4    |         |
| 13       | 5TA-13171-00 | PIPE, DELIVERY 2          | 1    | 1    | 1    | 1    |         |
| 14       | 93210-07003  | O-RING                    | 1    | 1    | 1    | 1    |         |
| 15       | 93210-09008  | O-RING                    | 1    | 1    | 1    | 1    |         |
| 16       | 93210-12759  | O-RING                    | 1    | 1    | 1    | 1    |         |
| 17       | 95027-06012  | BOLT, FLANGE              | 1    | 1    | 1    | 1    |         |
|          |              |                           |      |      |      |      |         |
|          |              |                           |      |      |      |      |         |
|          |              |                           |      |      |      |      |         |



5XD1100-C080

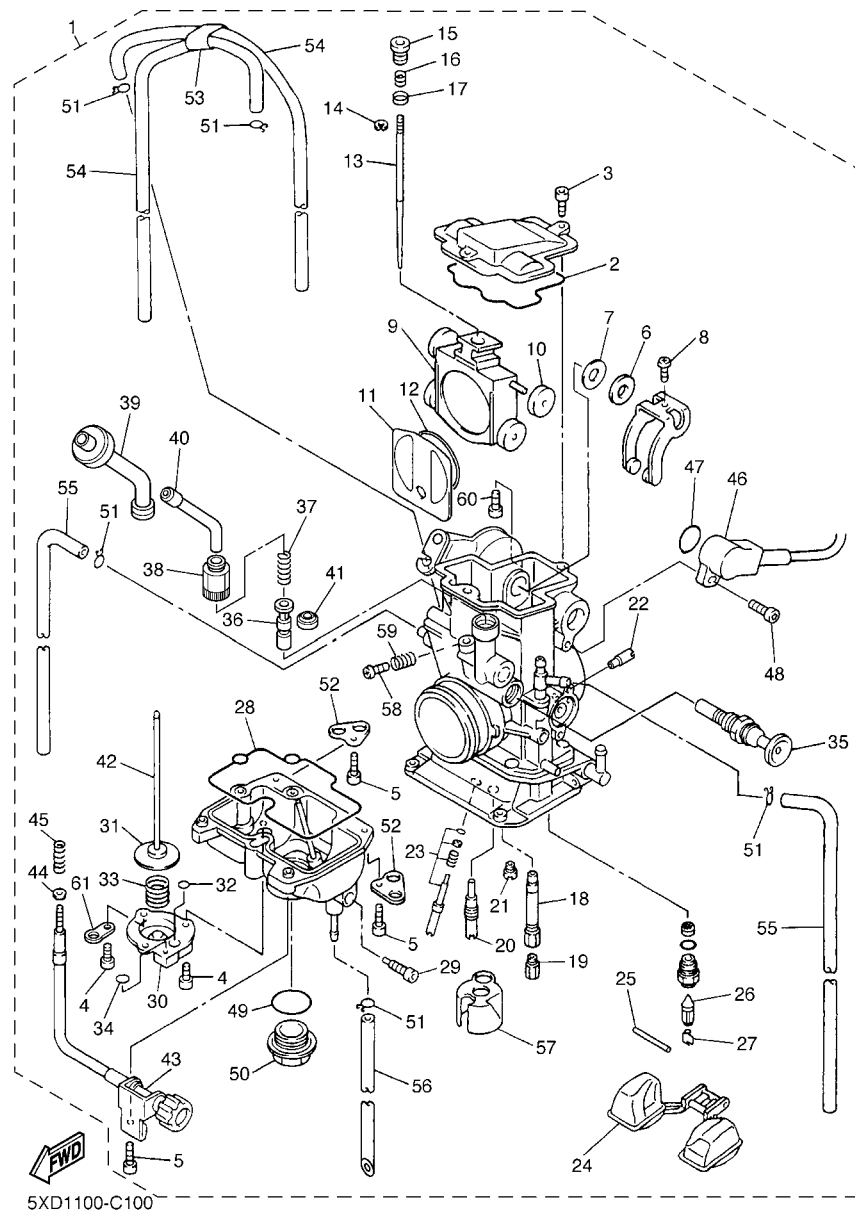




**FIG. 9 INTAKE**

| REF. NO. | PART NO.     | DESCRIPTION           | 5XD1 | 5XD2 | 5XD3 | 5XD4 | REMARKS |
|----------|--------------|-----------------------|------|------|------|------|---------|
| 1        | 5XD-13597-00 | JOINT, CARBURETOR 3   | 1    | 1    | 1    | 1    |         |
| 2        | 90450-57004  | HOSE CLAMP ASSY       | 1    | 1    | 1    | 1    |         |
| 3        | 90450-59002  | HOSE CLAMP ASSY       | 1    | 1    | 1    | 1    |         |
| 4        | 5TA-14293-00 | COVER 1               | 1    | 1    | 1    | 1    |         |
| 5        | 5TA-14227-00 | GASKET                | 1    | 1    | 1    | 1    |         |
| 6        | 5TA-14239-00 | SEAL                  | 1    | 1    | 1    | 1    |         |
| 7        | 5TA-14987-00 | HOSE                  | 1    | 1    | 1    | 1    |         |
| 8        | 3TJ-14137-40 | CLIP                  | 1    | 1    | 1    | 1    |         |
| 9        | 5TA-14428-00 | BOLT                  | 2    | 2    | 2    | 2    |         |
| 10       | 90450-61001  | HOSE CLAMP ASSY       | 1    | 1    | 1    | 1    |         |
| 11       | 5TA-14401-01 | AIR CLEANER CASE ASSY | 1    | 1    | 1    | 1    |         |
| 12       | 5TA-14453-00 | JOINT, AIR CLEANER 1  | 1    | 1    | 1    | 1    |         |
| 13       | 5NY-14459-00 | HOLDER, GUIDE         | 1    | 1    | 1    | 1    |         |
| 14       | 5NY-14455-10 | BAND                  | 1    | 1    | 1    | 1    |         |
| 15       | 5NY-14442-00 | SPACER                | 1    | 1    | 1    | 1    |         |
| 16       | 5XD-14417-00 | COVER 1               | 1    | 1    | 1    | 1    |         |
| 17       | 90267-32070  | RIVET, BLIND          | 3    | 3    | 3    | 3    |         |
| 18       | 90201-03313  | WASHER, PLATE         | 6    | 6    | 6    | 6    |         |
| 19       | 4XM-14451-00 | ELEMENT, AIR CLEANER  | 1    | 1    | 1    | 1    |         |
| 20       | 90209-06096  | WASHER                | 1    | 1    | 1    | 1    |         |
| 21       | 90122-06035  | BOLT, WING            | 1    | 1    | 1    | 1    |         |
| 22       | 5BE-14458-00 | GUIDE                 | 1    | 1    | 1    | 1    |         |
| 23       | 90183-06023  | NUT, SPRING           | 3    | 3    | 3    | 3    |         |
| 24       | 90109-067F4  | BOLT                  | 2    | 2    | 2    | 2    |         |

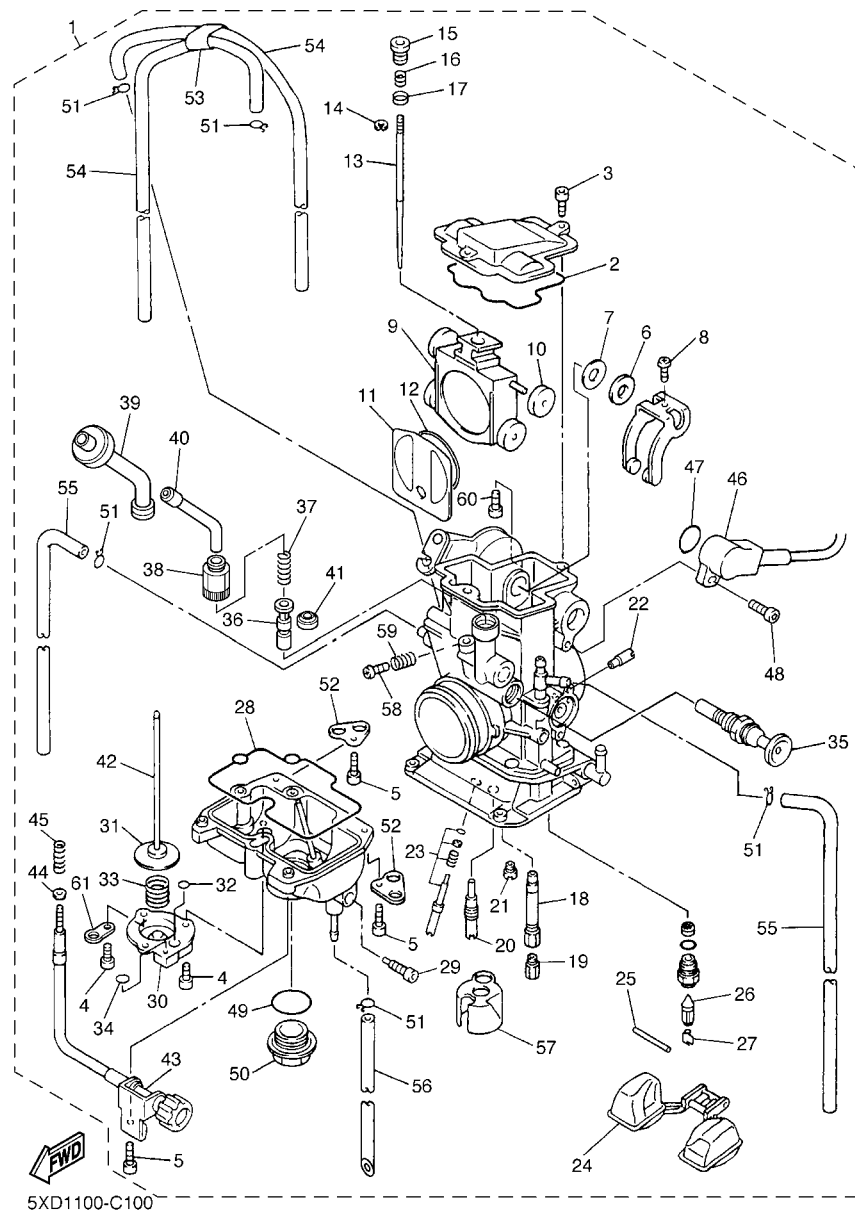




5XD1100-C100

FIG. 10 CARBURETOR

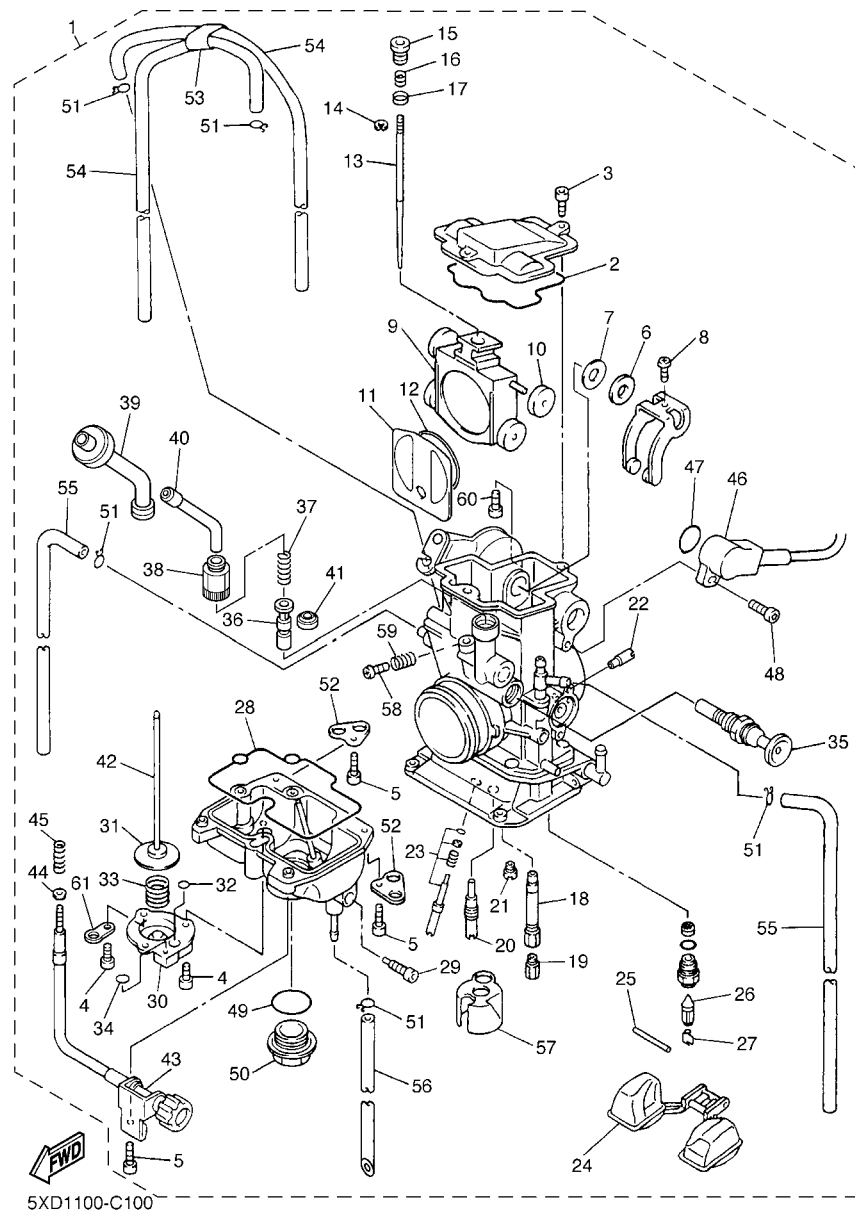
| REF. NO. | PART NO. | DESCRIPTION                    | 5XD1 | 5XD2 | 5XD3 | 5XD4 | REMARKS |
|----------|----------|--------------------------------|------|------|------|------|---------|
|          | 13       | 5JG-14916-MR .NEEDLE (#EMR)    |      |      |      | 1    | STD     |
|          |          | 5JG-14916-MN .NEEDLE (#EMN)    |      | 1    | 1    | 1    | AP      |
|          |          | 5JG-14916-MP .NEEDLE (#EMP)    |      | 1    | 1    | 1    | AP      |
|          |          | 5JG-14916-M1 .NEEDLE (#EMQ)    |      | 1    | 1    | 1    | AP      |
|          |          | 5JG-14916-MS .NEEDLE (#EMS)    |      | 1    | 1    | 1    | AP      |
|          |          | 5JG-14916-MT .NEEDLE (#EMT)    |      | 1    | 1    | 1    | AP      |
|          |          | 5JG-14916-MU .NEEDLE (#EMU)    |      | 1    | 1    | 1    | AP      |
|          | 14       | 3TJ-14159-40 .CLIP             | 1    | 1    | 1    | 1    |         |
|          | 15       | 5JG-14521-00 .SCREW, ADJUST    | 1    | 1    | 1    | 1    |         |
|          | 16       | 5JG-14275-00 .SPRING           | 1    | 1    | 1    | 1    |         |
|          | 17       | 5JG-14264-00 .COLLAR           | 1    | 1    | 1    | 1    |         |
|          | 18       | 5JG-14947-00 .NOZZLE, MAIN     | 1    | 1    | 1    | 1    |         |
|          | 19       | 4MX-14943-92 .JET, MAIN (#172) |      |      |      | 1    | STD     |
|          |          | 4MX-14943-39 .JET, MAIN (#160) | 1    | 1    | 1    | 1    | AP      |
|          |          | 4MX-14943-90 .JET, MAIN (#162) | 1    | 1    | 1    | 1    | AP      |
|          |          | 4MX-14943-40 .JET, MAIN (#165) |      | 1    | 1    | 1    | AP      |
|          |          | 4MX-14943-91 .JET, MAIN (#168) | 1    | 1    | 1    | 1    | AP      |
|          |          | 4MX-14943-41 .JET, MAIN (#170) | 1    | 1    | 1    | 1    | AP      |
|          |          | 4MX-14943-42 .JET, MAIN (#175) | 1    | 1    | 1    | 1    | AP      |



5XD1100-C100

FIG. 10 CARBURETOR

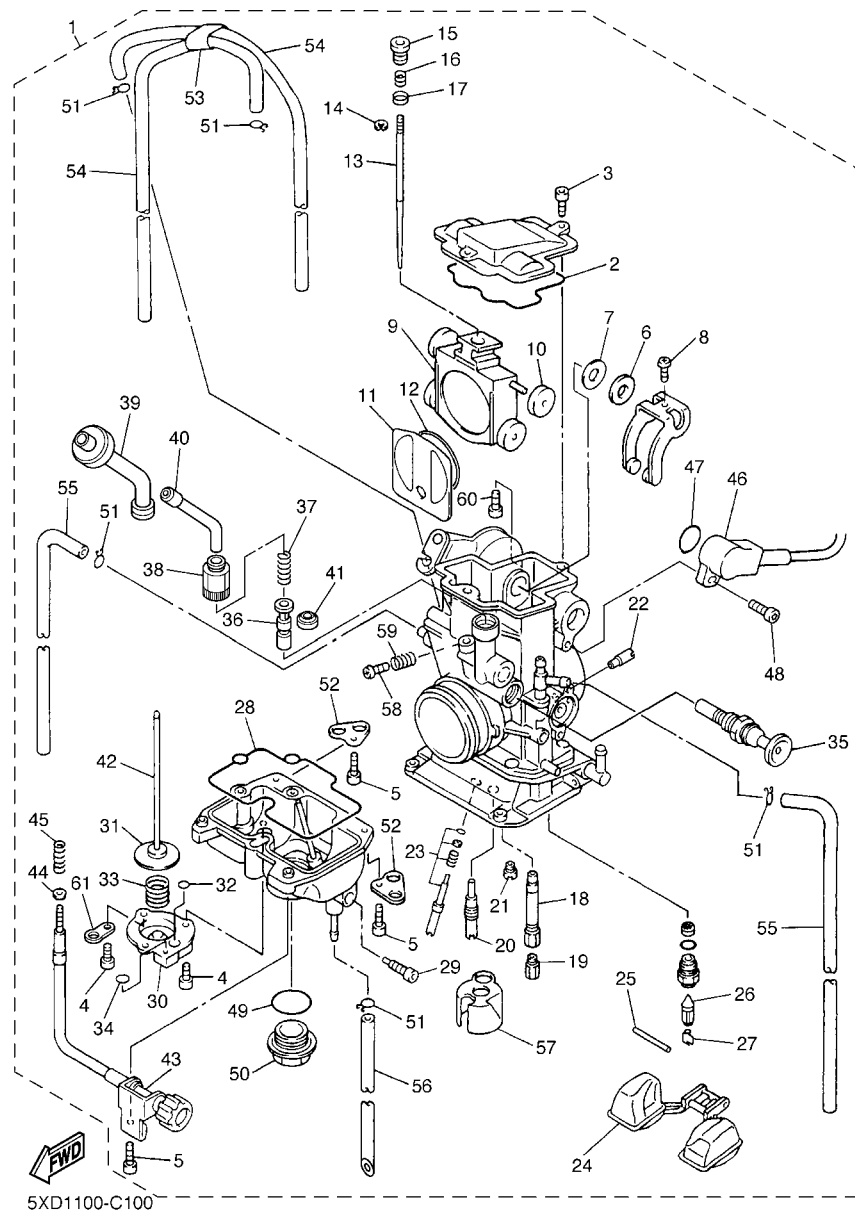
| REF. NO. | PART NO.     | DESCRIPTION       | 5XD1 | 5XD2 | 5XD3 | 5XD4 | REMARKS |
|----------|--------------|-------------------|------|------|------|------|---------|
| 19       | 4MX-14943-93 | .JET, MAIN (#178) | 1    | 1    | 1    | 1    | AP      |
|          | 4MX-14943-43 | .JET, MAIN (#180) |      | 1    | 1    | 1    | AP      |
|          | 4MX-14943-94 | .JET, MAIN (#182) |      | 1    | 1    | 1    | AP      |
|          | 4MX-14943-44 | .JET, MAIN (#185) |      | 1    | 1    | 1    | AP      |
| 20       | 4MX-14948-05 | .JET, SLOW (#45)  |      |      |      | 1    | STD     |
|          | 4MX-14948-02 | .JET, SLOW (#38)  | 1    | 1    | 1    | 1    | AP      |
|          | 4MX-14948-03 | .JET, SLOW (#40)  | 1    | 1    | 1    | 1    | AP      |
|          | 4MX-14948-04 | .JET, SLOW (#42)  |      | 1    | 1    | 1    | AP      |
|          | 4MX-14948-06 | .JET, SLOW (#48)  | 1    | 1    | 1    | 1    | AP      |
|          | 4MX-14948-07 | .JET, SLOW (#50)  | 1    | 1    | 1    | 1    | AP      |
|          | 4MX-14948-08 | .JET, SLOW (#52)  |      | 1    | 1    | 1    | AP      |
| 21       | 3TJ-1494F-16 | .JET (#72)        | 1    | 1    | 1    | 1    | STD     |
|          | 3TJ-1494F-12 | .JET (#62)        | 1    | 1    | 1    | 1    | AP      |
|          | 3TJ-1494F-13 | .JET (#65)        | 1    | 1    | 1    | 1    | AP      |
|          | 3TJ-1494F-14 | .JET (#68)        | 1    | 1    | 1    | 1    | AP      |
|          | 3TJ-1494F-15 | .JET (#70)        | 1    | 1    | 1    | 1    | AP      |
|          | 3TJ-1494F-17 | .JET (#75)        | 1    | 1    | 1    | 1    | AP      |
|          | 3TJ-1494F-18 | .JET (#78)        | 1    | 1    | 1    | 1    | AP      |
|          | 3TJ-1494F-19 | .JET (#80)        | 1    | 1    | 1    | 1    | AP      |
|          | 3TJ-1494F-20 | .JET (#82)        | 1    | 1    | 1    | 1    | AP      |
| 22       | 5TA-14943-27 | .JET, MAIN (#100) | 1    | 1    | 1    | 1    |         |
| 23       | 3TJ-14105-40 | .PILOT SCREW SET  | 1    | 1    | 1    | 1    |         |
| 24       | 4SR-14985-00 | .FLOAT            | 1    | 1    | 1    | 1    |         |
| 25       | 676-14548-00 | .PIN, FLOAT ARM   | 1    | 1    | 1    | 1    |         |



5XD1100-C100

FIG. 10 CARBURETOR

| REF. NO. | PART NO.     | DESCRIPTION            | 5XD1 | 5XD2 | 5XD3 | 5XD4 | REMARKS |
|----------|--------------|------------------------|------|------|------|------|---------|
| 26       | 4MX-14392-00 | .VALVE, NEEDLE         | 1    | 1    | 1    | 1    |         |
| 27       | 633-14159-00 | .CLIP                  | 1    | 1    | 1    | 1    |         |
| 28       | 5JG-14984-00 | .GASKET, FLOAT CHAMBER | 1    | 1    | 1    | 1    |         |
| 29       | 3TJ-14191-40 | .PLUG, DRAIN           | 1    | 1    | 1    | 1    |         |
| 30       | 3TJ-14293-40 | .COVER 1               | 1    | 1    | 1    | 1    |         |
| 31       | 5JG-14940-17 | .DIAPHRAGM ASSY        |      |      |      | 1    | STD     |
|          | 5JG-14940-16 | .DIAPHRAGM ASSY        |      | 1    | 1    | 1    | AP      |
|          | 5JG-14940-18 | .DIAPHRAGM ASSY        |      | 1    | 1    | 1    | AP      |
| 32       | 3TJ-14536-40 | .GASKET                | 1    | 1    | 1    | 1    |         |
| 33       | 3TJ-14933-40 | .SPRING, DIAPHRAGM     | 1    | 1    | 1    | 1    |         |
| 34       | 6H4-14561-00 | .O-RING                | 1    | 1    | 1    | 1    |         |
| 35       | 5TA-14171-00 | .PLUNGER, STARTER      | 1    | 1    | 1    | 1    |         |
| 36       | 5TA-14371-00 | .PLUNGER, STARTER      | 1    | 1    | 1    | 1    |         |
| 37       | 5TA-14335-00 | .SPRING, PLUNGER       | 1    | 1    | 1    | 1    |         |
| 38       | 5TA-14991-00 | .SCREW                 | 1    | 1    | 1    | 1    |         |
| 39       | 5TA-14374-00 | .CAP, PLUNGER          | 1    | 1    | 1    | 1    |         |
| 40       | 5TA-14155-00 | .GUIDE, CABLE          | 1    | 1    | 1    | 1    |         |
| 41       | 5TA-14997-00 | .SEAL                  | 1    | 1    | 1    | 1    |         |
| 42       | 5JG-14379-00 | .ROD, STARTER          | 1    | 1    | 1    | 1    |         |
| 43       | 5JG-14922-00 | .SCREW, THROTTLE       | 1    | 1    | 1    | 1    |         |
| 44       | 90201-08410  | .WASHER, PLATE         | 1    | 1    | 1    | 1    |         |
| 45       | 5TA-14934-00 | .SPRING, THROTTLE STOP | 1    | 1    | 1    | 1    |         |
| 46       | 5TA-85885-00 | .THROTTLE SENSOR ASSY  | 1    | 1    | 1    | 1    |         |
| 47       | 5NX-14562-00 | .O-RING                | 1    | 1    | 1    | 1    |         |



5XD1100-C100

FIG. 10 CARBURETOR

| REF. NO. | PART NO.     | DESCRIPTION           | 5XD1 | 5XD2 | 5XD3 | 5XD4 | REMARKS |
|----------|--------------|-----------------------|------|------|------|------|---------|
| 48       | 5NX-14216-00 | .SCREW                | 1    | 1    | 1    | 1    |         |
| 49       | 4MX-14561-00 | .O-RING               | 1    | 1    | 1    | 1    |         |
| 50       | 4MX-14115-00 | .PLUG, SCREW          | 1    | 1    | 1    | 1    |         |
| 51       | 3TJ-14137-40 | .CLIP                 | 5    | 5    | 5    | 5    |         |
| 52       | 5BE-14146-00 | .PLATE                | 2    | 2    | 2    | 2    |         |
| 53       | 5TA-14261-00 | .HOLDER               | 1    | 1    | 1    | 1    |         |
| 54       | 5TA-14196-00 | .PIPE                 | 2    | 2    | 2    | 2    |         |
| 55       | 5TA-14197-00 | .PIPE                 | 2    | 2    | 2    | 2    |         |
| 56       | 5TJ-14987-00 | .HOSE                 | 1    | 1    | 1    | 1    |         |
| 57       | 5JG-14346-00 | .PLATE                | 1    | 1    | 1    | 1    |         |
| 58       | 5JG-14565-00 | .SCREW                | 1    | 1    | 1    | 1    |         |
| 59       | 5JG-14531-00 | .SPRING, ADJUST SCREW | 1    | 1    | 1    | 1    |         |
| 60       | 5JG-14591-00 | .SCREW                | 1    | 1    | 1    | 1    |         |
| 61       | 5PA-14146-00 | .PLATE                | 1    | 1    | 1    | 1    |         |

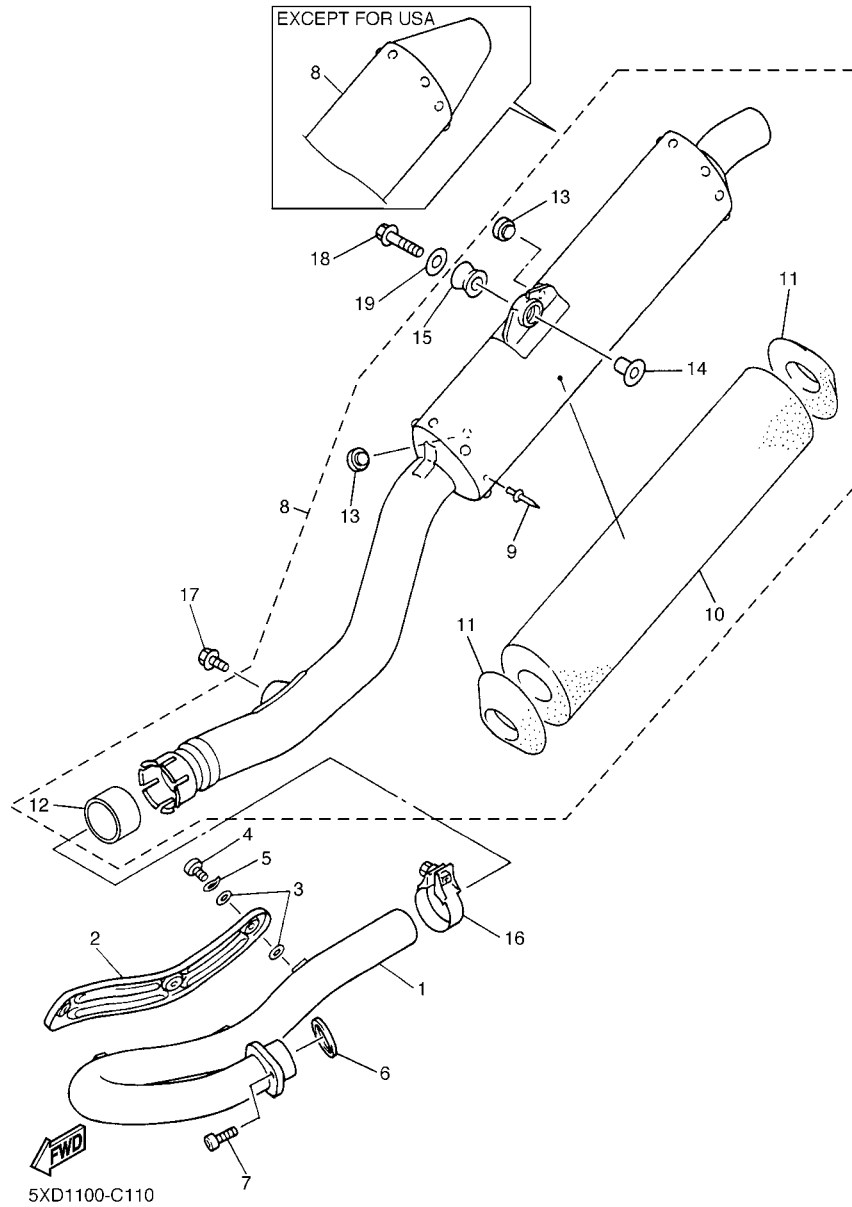
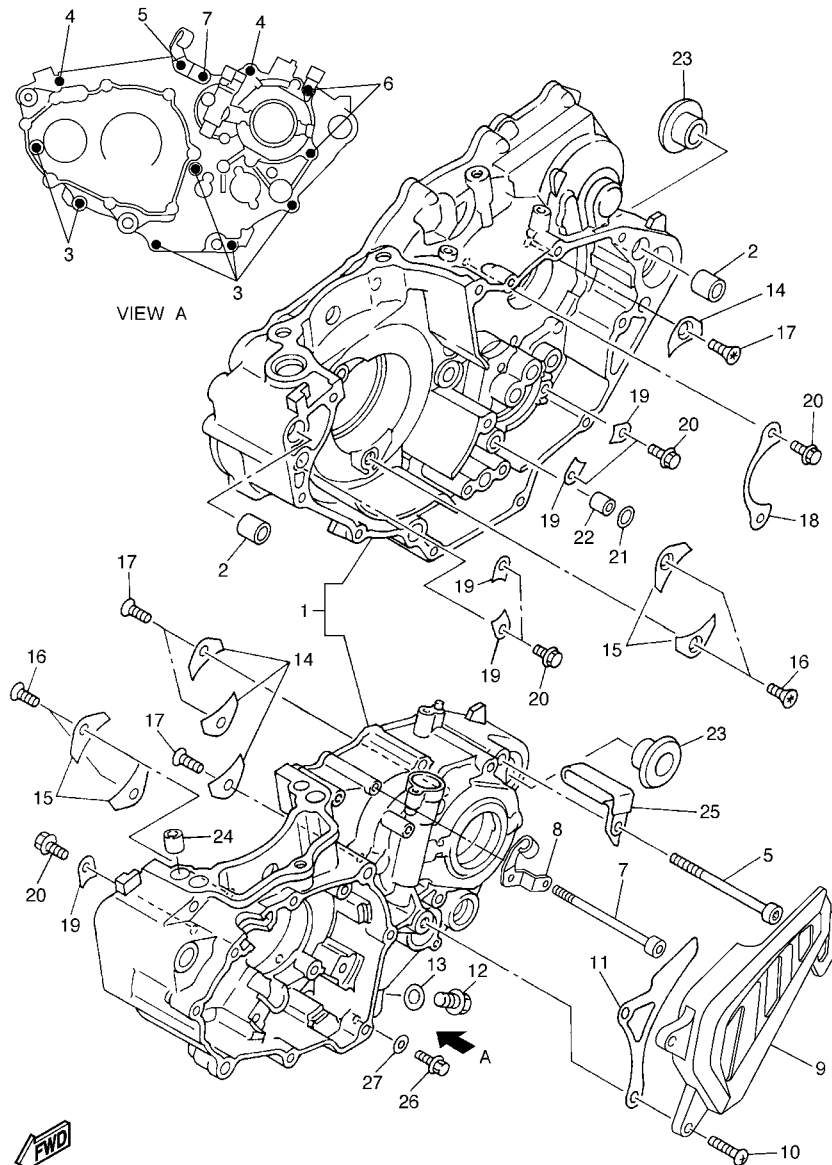


FIG. 11 EXHAUST

| REF. NO. | PART NO.     | DESCRIPTION             | 5XD1 | 5XD2 | 5XD3 | 5XD4 | REMARKS |
|----------|--------------|-------------------------|------|------|------|------|---------|
| 1        | 5TA-14611-00 | PIPE, EXHAUST 1         | 1    | 1    | 1    | 1    |         |
| 2        | 5TA-14628-00 | PROTECTOR, EXHAUST PIPE | 1    | 1    | 1    | 1    |         |
| 3        | 4BD-14766-00 | WASHER, PROTECTOR       | 6    | 6    | 6    | 6    |         |
| 4        | 98980-06008  | SCREW, BIND             | 3    | 3    | 3    | 3    |         |
| 5        | 90206-06090  | WASHER, WAVE            | 3    | 3    | 3    | 3    |         |
| 6        | 3VD-14613-01 | GASKET, EXHAUST PIPE    | 1    | 1    | 1    | 1    |         |
| 7        | 91317-08020  | BOLT                    | 1    | 1    | 1    | 1    |         |
| 8        | 5XD-Y1475-10 | SILENCER ASSY           |      |      |      | 1    |         |
| 9        | 90267-48084  | .RIVET, BLIND           | 16   | 16   | 16   | 16   |         |
| 10       | 5TA-1469A-00 | .FIBER                  | 1    | 1    | 1    | 1    |         |
| 11       | 5TA-1469E-00 | .FIBER                  | 2    | 2    | 2    | 2    |         |
| 12       | 5XD-14714-00 | .GASKET, MUFFLER        | 1    | 1    | 1    | 1    |         |
| 13       | 22W-24181-00 | .DAMPER, LOCATING 1     | 2    | 2    | 2    | 2    |         |
| 14       | 90387-0814J  | .COLLAR                 | 1    | 1    | 1    | 1    |         |
| 15       | 5BE-14747-00 | .DAMPER, MUFFLER        | 1    | 1    | 1    | 1    |         |
| 16       | 5BE-14788-00 | BAND, SILENCER          | 1    | 1    | 1    | 1    |         |
| 17       | 90105-08057  | BOLT, FLANGE            | 1    | 1    | 1    | 1    |         |
| 18       | 95817-08030  | BOLT, FLANGE            | 1    | 1    | 1    | 1    |         |
| 19       | 90201-081R9  | WASHER, PLATE           | 1    | 1    | 1    | 1    |         |

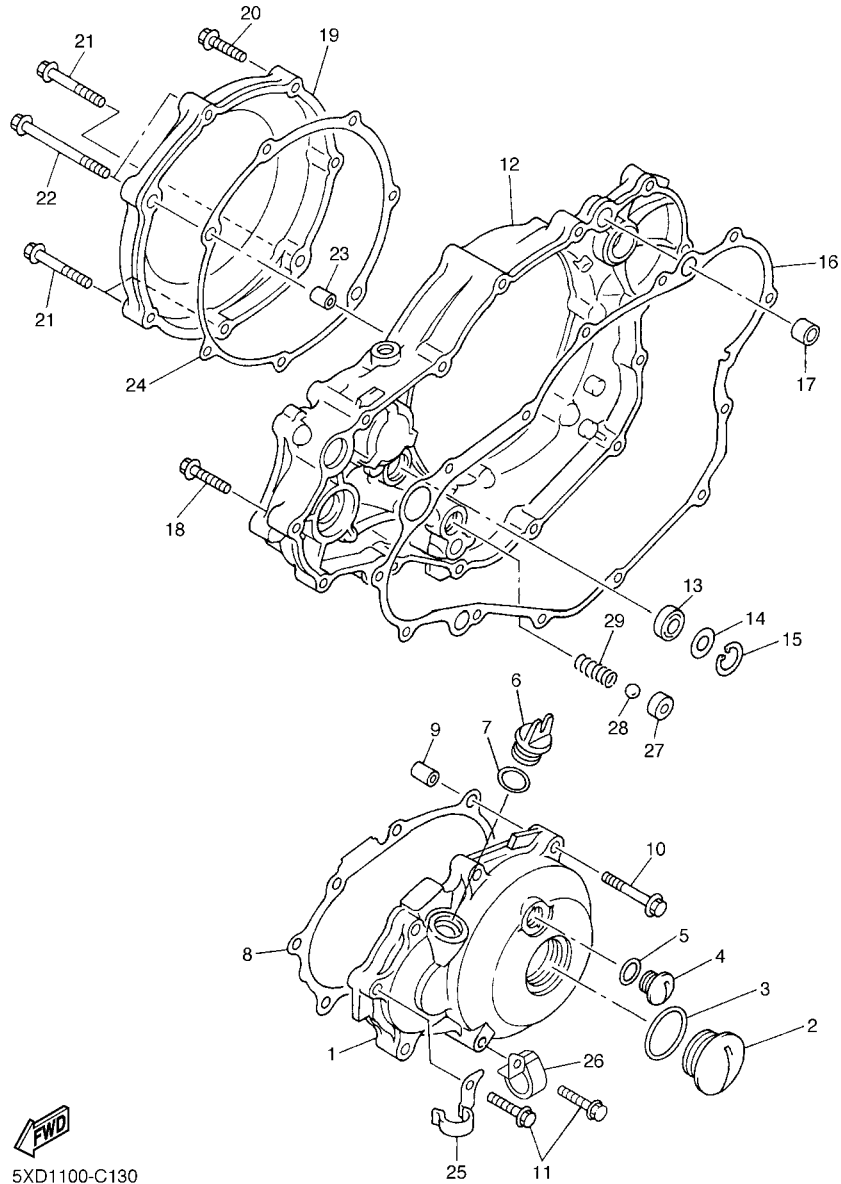


5XD1100-C120

FIG. 12 CRANKCASE

| REF. NO. | PART NO.     | DESCRIPTION          | 5XD1 | 5XD2 | 5XD3 | 5XD4 | REMARKS |
|----------|--------------|----------------------|------|------|------|------|---------|
| 1        | 5TA-15150-11 | CRANKCASE ASSY       | 1    | 1    | 1    | 1    |         |
| 2        | 99530-14016  | PIN, DOWEL           | 2    | 2    | 2    | 2    |         |
| 3        | 91317-06050  | BOLT                 | 6    | 6    | 6    | 6    |         |
| 4        | 91317-06060  | BOLT                 | 2    | 2    | 2    | 2    |         |
| 5        | 91314-06065  | BOLT                 | 1    | 1    | 1    | 1    |         |
| 6        | 91317-06075  | BOLT                 | 2    | 2    | 2    | 2    |         |
| 7        | 91314-06080  | BOLT                 | 1    | 1    | 1    | 1    |         |
| 8        | 5XD-15441-00 | HOLDER, CLUTCH CABLE | 1    | 1    | 1    | 1    |         |
| 9        | 5TA-15421-00 | COVER, CRANKCASE 2   | 1    | 1    | 1    | 1    |         |
| 10       | 98507-06025  | SCREW, PAN HEAD      | 2    | 2    | 2    | 2    |         |
| 11       | 5TA-17466-00 | GUIDE, CHAIN         | 1    | 1    | 1    | 1    |         |
| 12       | 95027-10016  | BOLT, FLANGE         | 1    | 1    | 1    | 1    |         |
| 13       | 90430-10188  | GASKET               | 1    | 1    | 1    | 1    |         |
| 14       | 4JT-15381-01 | PLATE, BEARING COVER | 4    | 4    | 4    | 4    |         |
| 15       | 5BE-15383-01 | PLATE, BEARING COVER | 4    | 4    | 4    | 4    |         |
| 16       | 90149-06126  | SCREW                | 4    | 4    | 4    | 4    |         |
| 17       | 90149-06326  | SCREW                | 4    | 4    | 4    | 4    |         |
| 18       | 4L0-17471-00 | PLATE, COVER         | 1    | 1    | 1    | 1    |         |
| 19       | 5DH-18562-00 | PLATE, STOPPER 2     | 5    | 5    | 5    | 5    |         |
| 20       | 90105-06553  | BOLT, FLANGE         | 7    | 7    | 7    | 7    |         |
| 21       | 93210-10197  | O-RING               | 1    | 1    | 1    | 1    |         |
| 22       | 99530-10114  | PIN, DOWEL           | 1    | 1    | 1    | 1    |         |
| 23       | 90387-18007  | COLLAR               | 2    | 2    | 2    | 2    |         |
| 24       | 99530-10116  | PIN, DOWEL           | 2    | 2    | 2    | 2    |         |
| 25       | 90461-10136  | CLAMP                | 1    | 1    | 1    | 1    |         |
| 26       | 95024-06010  | BOLT, FLANGE         | 1    | 1    | 1    | 1    |         |
| 27       | 90430-06014  | GASKET               | 1    | 1    | 1    | 1    |         |

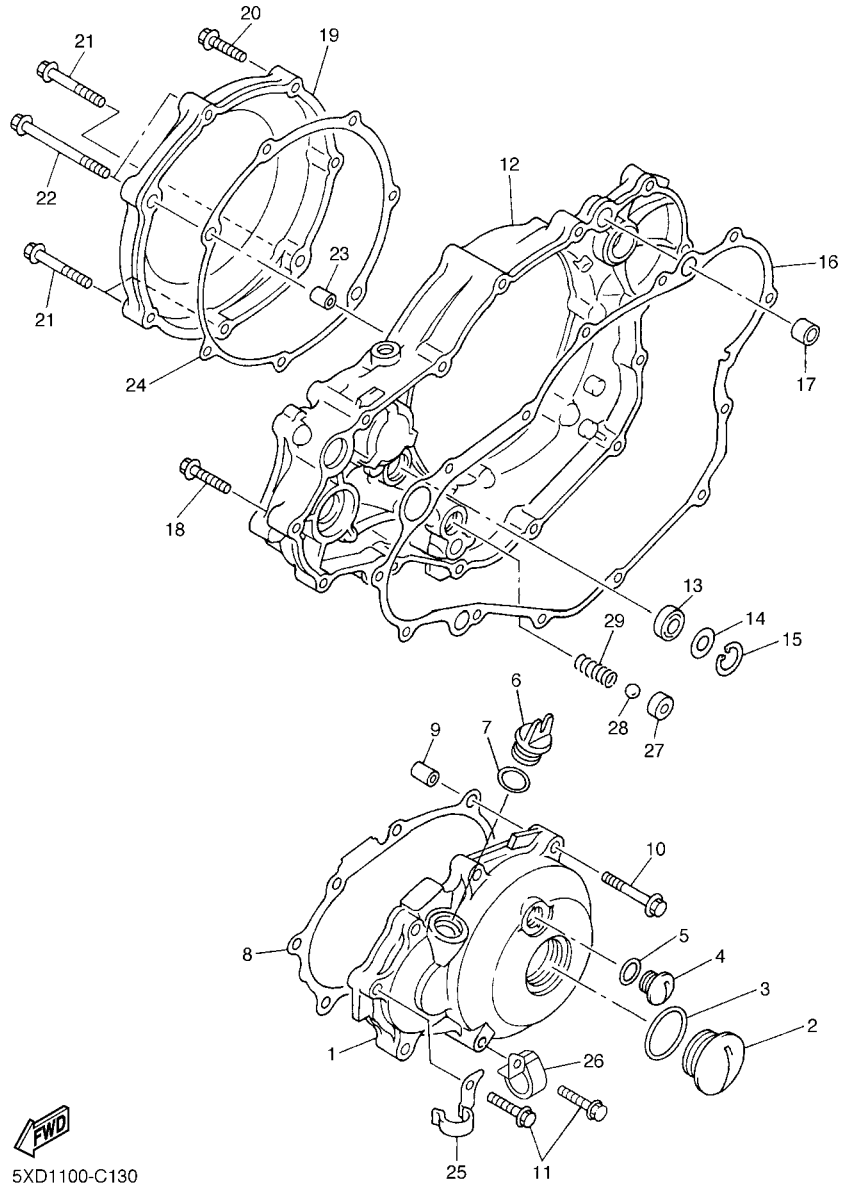




5XD1100-C130

FIG. 13 CRANKCASE COVER 1

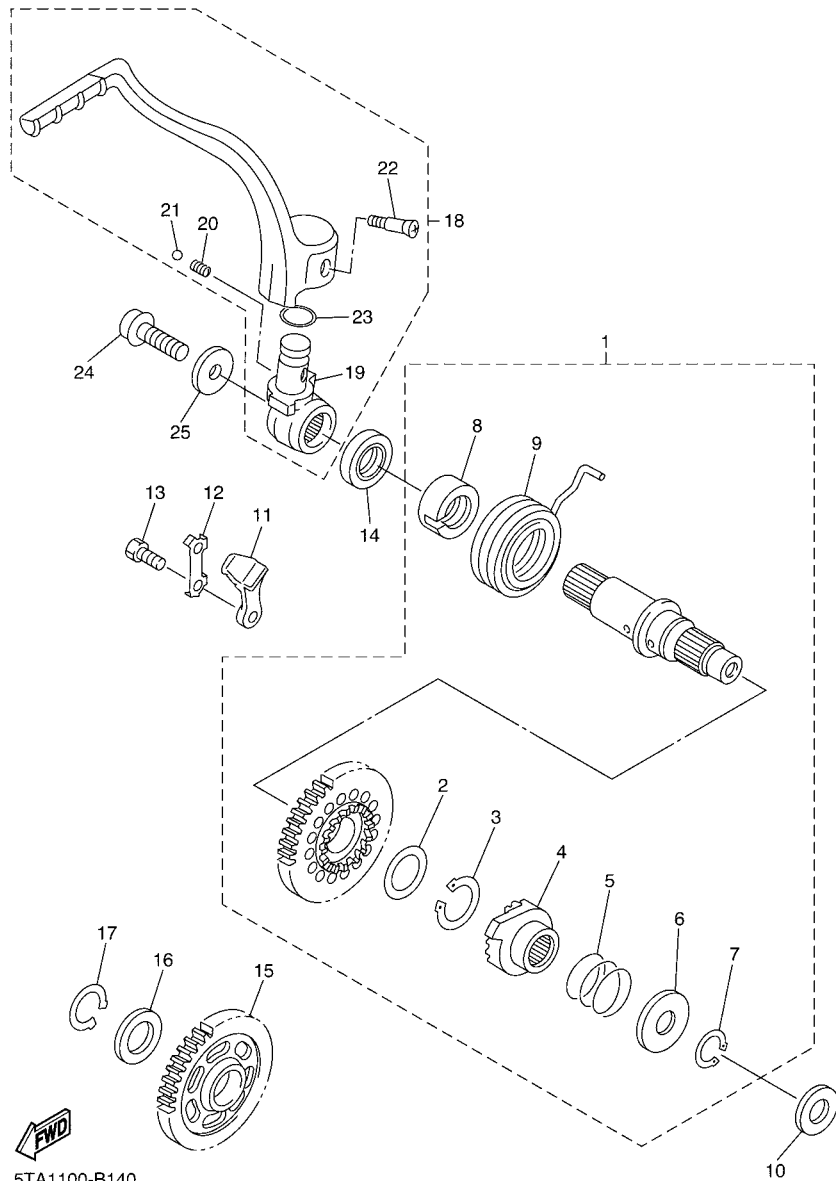
| REF. NO. | PART NO.     | DESCRIPTION               | 5XD1 | 5XD2 | 5XD3 | 5XD4 | REMARKS |
|----------|--------------|---------------------------|------|------|------|------|---------|
| 1        | 5TA-15411-00 | COVER, CRANKCASE 1        | 1    | 1    | 1    | 1    |         |
| 2        | 90340-32123  | PLUG, STRAIGHT SCREW      | 1    | 1    | 1    | 1    |         |
| 3        | 93210-32172  | O-RING                    | 1    | 1    | 1    | 1    |         |
| 4        | 90340-14128  | PLUG, STRAIGHT SCREW      | 1    | 1    | 1    | 1    |         |
| 5        | 93210-14369  | O-RING                    | 1    | 1    | 1    | 1    |         |
| 6        | 3Y1-15363-00 | PLUG, OIL                 | 1    | 1    | 1    | 1    |         |
| 7        | 93210-19123  | O-RING                    | 1    | 1    | 1    | 1    |         |
| 8        | 5TA-15451-00 | GASKET, CRANKCASE COVER 1 | 1    | 1    | 1    | 1    |         |
| 9        | 99530-08016  | PIN, DOWEL                | 2    | 2    | 2    | 2    |         |
| 10       | 95027-06040  | BOLT, FLANGE              | 2    | 2    | 2    | 2    |         |
| 11       | 95027-06030  | BOLT, FLANGE              | 6    | 6    | 6    | 6    |         |
| 12       | 5XD-15431-00 | COVER, CRANKCASE 3        | 1    | 1    | 1    | 1    |         |
| 13       | 93101-14164  | OIL SEAL                  | 1    | 1    | 1    | 1    |         |
| 14       | 90201-15701  | WASHER, PLATE (T=1.0)     | 1    | 1    | 1    | 1    |         |
| 15       | 99009-22500  | CIRCLIP                   | 1    | 1    | 1    | 1    |         |
| 16       | 5TA-15462-00 | GASKET, CRANKCASE COVER 3 | 1    | 1    | 1    | 1    |         |
| 17       | 91812-16001  | PIN, DOWEL                | 2    | 2    | 2    | 2    |         |
| 18       | 95027-06030  | BOLT, FLANGE              | 10   | 10   | 10   | 10   |         |
| 19       | 5TA-15415-01 | COVER, GENERATOR          | 1    | 1    | 1    | 1    |         |
| 20       | 95027-06030  | BOLT, FLANGE              | 2    | 2    | 2    | 2    |         |
| 21       | 95027-06040  | BOLT, FLANGE              | 3    | 3    | 3    | 3    |         |
| 22       | 95027-06080  | BOLT, FLANGE              | 2    | 2    | 2    | 2    |         |
| 23       | 99530-08016  | PIN, DOWEL                | 2    | 2    | 2    | 2    |         |
| 24       | 5TA-15453-00 | GASKET                    | 1    | 1    | 1    | 1    |         |
| 25       | 90462-10241  | CLAMP                     | 1    | 1    | 1    | 1    |         |
| 26       | 5XD-15378-00 | HOLDER                    | 1    | 1    | 1    | 1    |         |
| 27       | 583-13113-00 | SEAT, CHECK BALL          | 1    | 1    | 1    | 1    |         |



5XD1100-C130

FIG. 13 CRANKCASE COVER 1

| REF. NO. | PART NO.    | DESCRIPTION         | 5XD1 | 5XD2 | 5XD3 | 5XD4 | REMARKS |
|----------|-------------|---------------------|------|------|------|------|---------|
| 28       | 93503-08007 | BALL                | 1    | 1    | 1    | 1    |         |
| 29       | 90501-043E0 | SPRING, COMPRESSION | 1    | 1    | 1    | 1    |         |
| -----    |             |                     |      |      |      |      |         |
| -----    |             |                     |      |      |      |      |         |
| -----    |             |                     |      |      |      |      |         |
| -----    |             |                     |      |      |      |      |         |
| -----    |             |                     |      |      |      |      |         |
| -----    |             |                     |      |      |      |      |         |
| -----    |             |                     |      |      |      |      |         |
| -----    |             |                     |      |      |      |      |         |

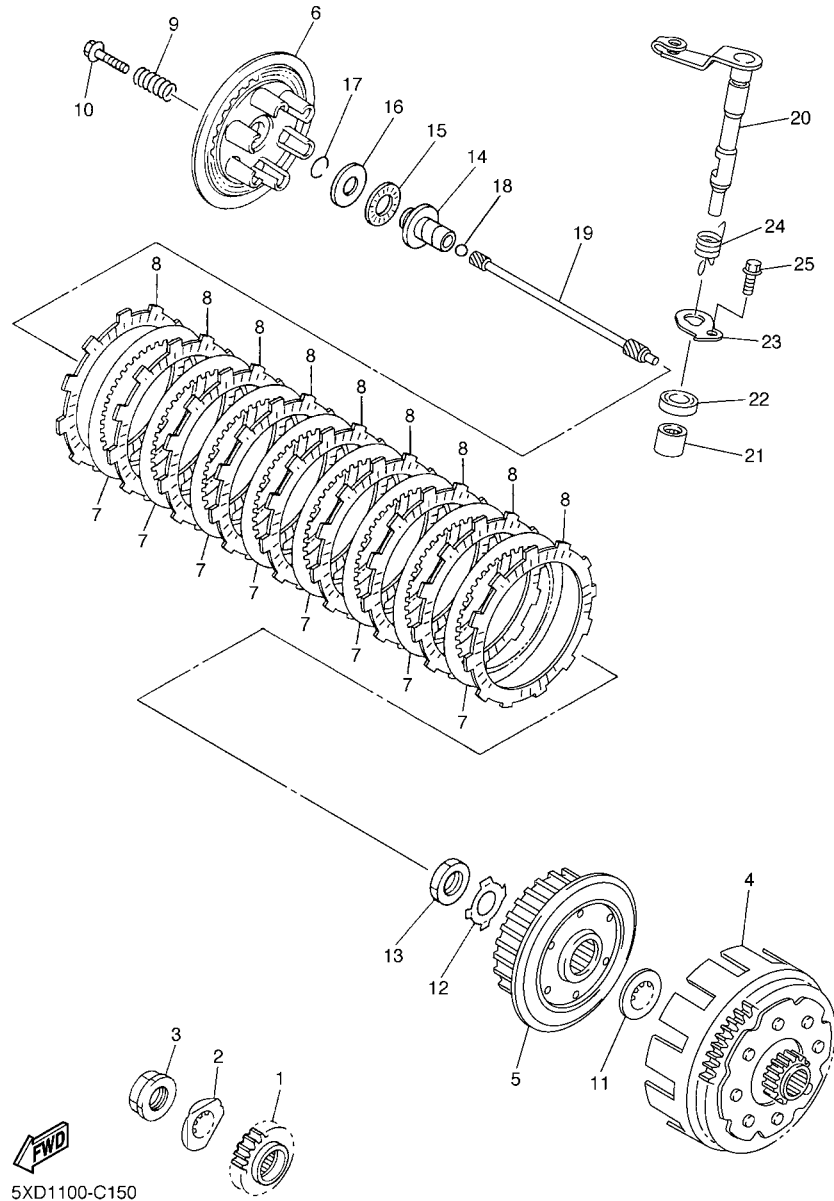


5TA1100-B140

FIG. 14 STARTER

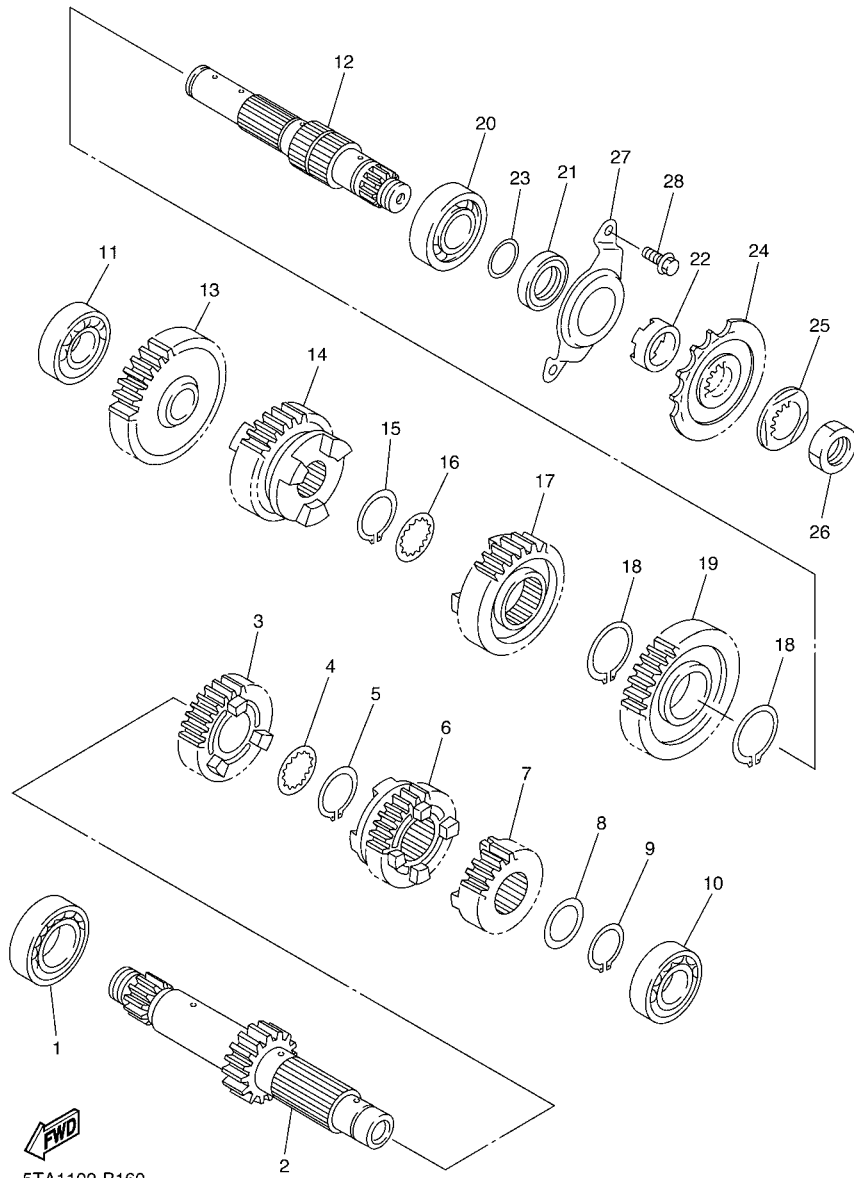
| REF. NO. | PART NO.     | DESCRIPTION               | 5XD1 | 5XD2 | 5XD3 | 5XD4 | REMARKS |
|----------|--------------|---------------------------|------|------|------|------|---------|
| 1        | 5XD-15601-00 | KICK SHAFT ASSY           | 1    | 1    | 1    | 1    |         |
| 2        | 90201-20685  | .WASHER, PLATE (T=0.5)    | 1    | 1    | 1    | 1    |         |
| 3        | 93410-20038  | .CIRCLIP                  | 1    | 1    | 1    | 1    |         |
| 4        | 4GY-15671-00 | .WHEEL, RATCHET           | 1    | 1    | 1    | 1    |         |
| 5        | 90501-16016  | .SPRING, COMPRESSION      | 1    | 1    | 1    | 1    |         |
| 6        | 90201-167P7  | .WASHER, PLATE            | 1    | 1    | 1    | 1    |         |
| 7        | 99009-16400  | .CIRCLIP                  | 1    | 1    | 1    | 1    |         |
| 8        | 5GR-15664-00 | .GUIDE, SPRING            | 1    | 1    | 1    | 1    |         |
| 9        | 90508-305B0  | .SPRING, TORSION          | 1    | 1    | 1    | 1    |         |
| 10       | 90201-162H4  | WASHER, PLATE             | 1    | 1    | 1    | 1    |         |
| 11       | 5SG-15668-00 | STOPPER                   | 1    | 1    | 1    | 1    |         |
| 12       | 214-15686-00 | WASHER, LOCK              | 1    | 1    | 1    | 1    |         |
| 13       | 90101-06001  | BOLT                      | 2    | 2    | 2    | 2    |         |
| 14       | 93102-20108  | OIL SEAL                  | 1    | 1    | 1    | 1    |         |
| 15       | 5TA-15651-00 | GEAR, KICK IDLE           | 1    | 1    | 1    | 1    |         |
| 16       | 90201-20276  | WASHER, PLATE (T=1.0)     | 1    | 1    | 1    | 1    |         |
| 17       | 99009-20400  | CIRCLIP                   | 1    | 1    | 1    | 1    |         |
| 18       | 5XD-15620-00 | KICK CRANK ASSY           | 1    | 1    | 1    | 1    |         |
| 19       | 5XD-15621-00 | .BOSS, KICK CRANK         | 1    | 1    | 1    | 1    |         |
| 20       | 90501-147A5  | .SPRING, COMPRESSION      | 1    | 1    | 1    | 1    |         |
| 21       | 93507-32009  | .BALL                     | 1    | 1    | 1    | 1    |         |
| 22       | 90152-06010  | .SCREW, COUNTERSUNK       | 1    | 1    | 1    | 1    |         |
| 23       | 93210-17570  | .O-RING                   | 1    | 1    | 1    | 1    |         |
| 24       | 90110-08035  | BOLT, HEXAGON SOCKET HEAD | 1    | 1    | 1    | 1    |         |
| 25       | 90201-087A9  | WASHER, PLATE             | 1    | 1    | 1    | 1    |         |

FIG. 15 CLUTCH



5XD1100-C150

| REF. NO. | PART NO.     | DESCRIPTION               | 5XD1 | 5XD2 | 5XD3 | 5XD4 | REMARKS |
|----------|--------------|---------------------------|------|------|------|------|---------|
| 1        | 5TA-16111-00 | GEAR, PRIMARY DRIVE       | 1    | 1    | 1    | 1    |         |
| 2        | 90215-21003  | WASHER, LOCK              | 1    | 1    | 1    | 1    |         |
| 3        | 90179-20001  | NUT                       | 1    | 1    | 1    | 1    |         |
| 4        | 5XD-16150-10 | PRIMARY DRIVEN GEAR COMP. | 1    | 1    | 1    | 1    |         |
| 5        | 5TA-16371-02 | BOSS, CLUTCH              | 1    | 1    | 1    | 1    |         |
| 6        | 5JG-16351-00 | PLATE, PRESSED 1          | 1    | 1    | 1    | 1    |         |
| 7        | 5JG-16325-00 | PLATE, CLUTCH 2           | 8    | 8    | 8    | 8    |         |
| 8        | 5TA-16321-00 | PLATE, FRICTION           | 9    | 9    | 9    | 9    |         |
| 9        | 90501-237L0  | SPRING, COMPRESSION       | 6    | 6    | 6    | 6    |         |
| 10       | 90159-06092  | SCREW, WITH WASHER        | 6    | 6    | 6    | 6    |         |
| 11       | 5XD-16154-00 | PLATE, THRUST 1           | 1    | 1    | 1    | 1    |         |
| 12       | 90215-20231  | WASHER, LOCK              | 1    | 1    | 1    | 1    |         |
| 13       | 90170-20327  | NUT                       | 1    | 1    | 1    | 1    |         |
| 14       | 5JG-16356-00 | ROD, PUSH 1               | 1    | 1    | 1    | 1    |         |
| 15       | 93340-21505  | BEARING                   | 1    | 1    | 1    | 1    |         |
| 16       | 90201-125L6  | WASHER, PLATE             | 1    | 1    | 1    | 1    |         |
| 17       | 93440-10085  | CIRCLIP                   | 1    | 1    | 1    | 1    |         |
| 18       | 93511-32027  | BALL                      | 1    | 1    | 1    | 1    |         |
| 19       | 5TA-16357-00 | ROD, PUSH 2               | 1    | 1    | 1    | 1    |         |
| 20       | 5XD-16381-00 | PUSH LEVER COMP.          | 1    | 1    | 1    | 1    |         |
| 21       | 93317-11287  | BEARING                   | 1    | 1    | 1    | 1    |         |
| 22       | 93102-12224  | OIL SEAL                  | 1    | 1    | 1    | 1    |         |
| 23       | 5TA-16384-01 | PLATE, SEAT               | 1    | 1    | 1    | 1    |         |
| 24       | 90508-12007  | SPRING, TORSION           | 1    | 1    | 1    | 1    |         |
| 25       | 95027-06012  | BOLT, FLANGE              | 1    | 1    | 1    | 1    |         |



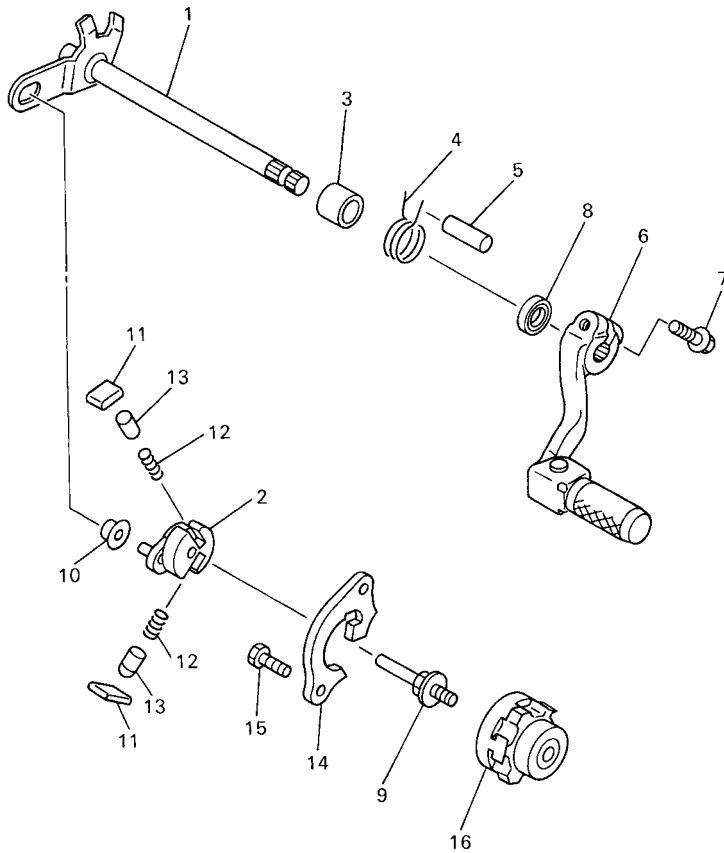
5TA1100-B160

FIG. 16 TRANSMISSION

| REF. NO. | PART NO.     | DESCRIPTION            | 5XD1 | 5XD2 | 5XD3 | 5XD4 | REMARKS |
|----------|--------------|------------------------|------|------|------|------|---------|
| 1        | 93306-20532  | BEARING                | 1    | 1    | 1    | 1    |         |
| 2        | 5TA-17411-10 | AXLE, MAIN (14T)       | 1    | 1    | 1    | 1    |         |
| 3        | 5TA-17141-10 | GEAR, 4TH PINION (20T) | 1    | 1    | 1    | 1    |         |
| 4        | 90209-21332  | WASHER                 | 1    | 1    | 1    | 1    |         |
| 5        | 93440-25084  | CIRCLIP                | 1    | 1    | 1    | 1    |         |
| 6        | 5TA-17131-10 | GEAR, 3RD PINION (18T) | 1    | 1    | 1    | 1    |         |
| 7        | 5TA-17121-10 | GEAR, 2ND PINION (16T) | 1    | 1    | 1    | 1    |         |
| 8        | 90201-206L6  | WASHER, PLATE          | 1    | 1    | 1    | 1    |         |
| 9        | 99009-20400  | CIRCLIP                | 1    | 1    | 1    | 1    |         |
| 10       | 93306-00431  | BEARING                | 1    | 1    | 1    | 1    |         |
| 11       | 93306-00426  | BEARING                | 1    | 1    | 1    | 1    |         |
| 12       | 5TA-17402-00 | DRIVE AXLE ASSY        | 1    | 1    | 1    | 1    |         |
| 13       | 5TA-17211-10 | GEAR, 1ST WHEEL (27T)  | 1    | 1    | 1    | 1    |         |
| 14       | 5TA-17241-10 | GEAR, 4TH WHEEL (21T)  | 1    | 1    | 1    | 1    |         |
| 15       | 93440-25084  | CIRCLIP                | 1    | 1    | 1    | 1    |         |
| 16       | 90209-21332  | WASHER                 | 1    | 1    | 1    | 1    |         |
| 17       | 5TA-17231-00 | GEAR, 3RD WHEEL (23T)  | 1    | 1    | 1    | 1    |         |
| 18       | 93440-30077  | CIRCLIP                | 2    | 2    | 2    | 2    |         |
| 19       | 5TA-17221-10 | GEAR, 2ND WHEEL (25T)  | 1    | 1    | 1    | 1    |         |
| 20       | 93306-20593  | BEARING                | 1    | 1    | 1    | 1    |         |
| 21       | 93102-32480  | OIL SEAL               | 1    | 1    | 1    | 1    |         |
| 22       | 90387-2513F  | COLLAR                 | 1    | 1    | 1    | 1    |         |
| 23       | 93210-22164  | O-RING                 | 1    | 1    | 1    | 1    |         |
| 24       | 9383E-14215  | SPROCKET, DRIVE (14T)  | 1    | 1    | 1    | 1    |         |
| 25       | 90215-21001  | WASHER, LOCK           | 1    | 1    | 1    | 1    |         |
| 26       | 90179-20001  | NUT                    | 1    | 1    | 1    | 1    |         |
| 27       | 5GR-17471-00 | PLATE, COVER           | 1    | 1    | 1    | 1    |         |





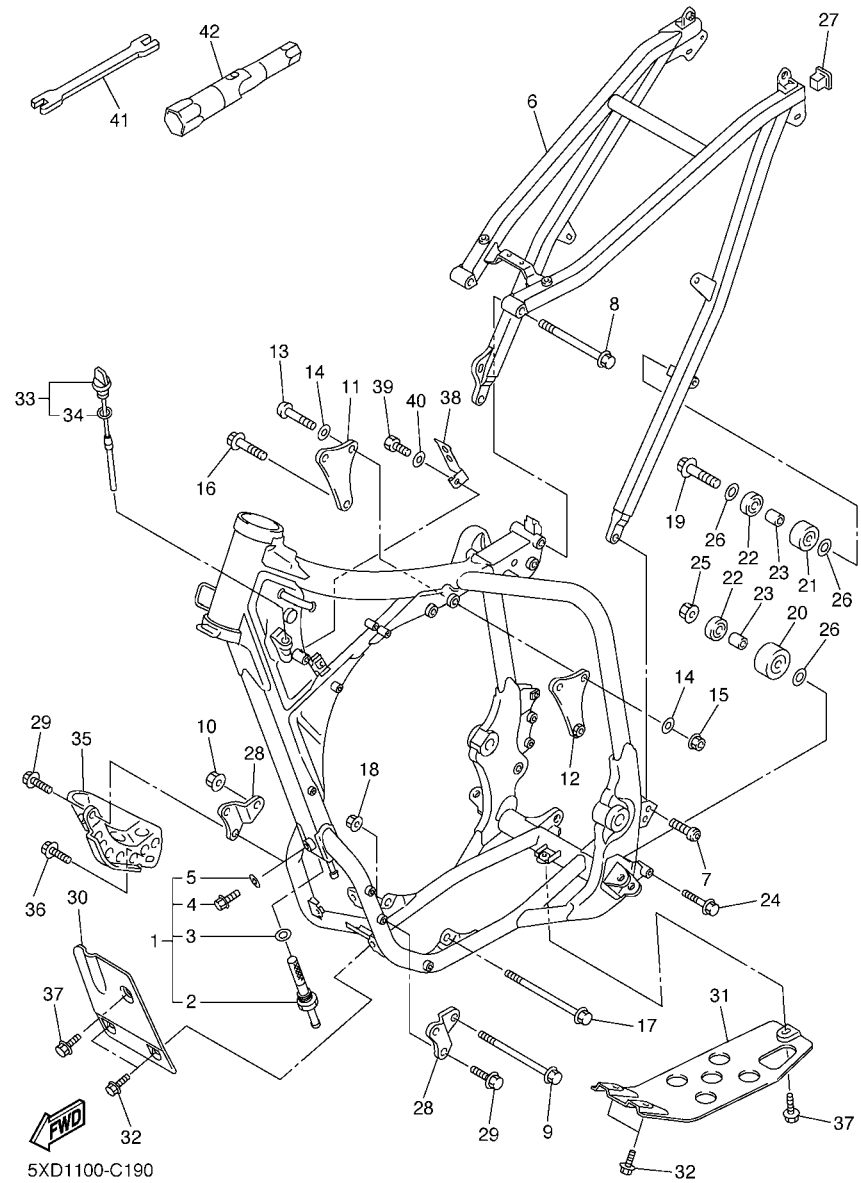


5BE100-8180

FIG. 18 SHIFT SHAFT

| REF. NO. | PART NO.     | DESCRIPTION         | 5XD1 | 5XD2 | 5XD3 | 5XD4 | REMARKS |
|----------|--------------|---------------------|------|------|------|------|---------|
| 1        | 5TA-18101-00 | SHIFT SHAFT ASSY    | 1    | 1    | 1    | 1    |         |
| 2        | 5LP-18122-00 | LEVER, SHIFT 2      | 1    | 1    | 1    | 1    |         |
| 3        | 90387-124F4  | COLLAR              | 1    | 1    | 1    | 1    |         |
| 4        | 90508-291A8  | SPRING, TORSION     | 1    | 1    | 1    | 1    |         |
| 5        | 93608-33002  | PIN, DOWEL          | 1    | 1    | 1    | 1    |         |
| 6        | 5TA-18110-00 | SHIFT PEDAL ASSY    | 1    | 1    | 1    | 1    |         |
| 7        | 95027-06020  | BOLT, FLANGE        | 1    | 1    | 1    | 1    |         |
| 8        | 93102-12224  | OIL SEAL            | 1    | 1    | 1    | 1    |         |
| 9        | 3XJ-18173-00 | PIN, SHIFT          | 1    | 1    | 1    | 1    |         |
| 10       | 3XJ-18178-00 | ROLLER, SHIFT LEVER | 1    | 1    | 1    | 1    |         |
| 11       | 3XJ-18182-00 | PAWL, SHIFTER       | 2    | 2    | 2    | 2    |         |
| 12       | 90501-052G5  | SPRING, COMPRESSION | 2    | 2    | 2    | 2    |         |
| 13       | 3XJ-18184-00 | PIN, PAWL           | 2    | 2    | 2    | 2    |         |
| 14       | 5BE-18172-00 | GUIDE, SHIFT        | 1    | 1    | 1    | 1    |         |
| 15       | 90101-06664  | BOLT                | 2    | 2    | 2    | 2    |         |
| 16       | 4EW-18185-00 | SEGMENT             | 1    | 1    | 1    | 1    |         |
|          |              |                     |      |      |      |      |         |
|          |              |                     |      |      |      |      |         |
|          |              |                     |      |      |      |      |         |

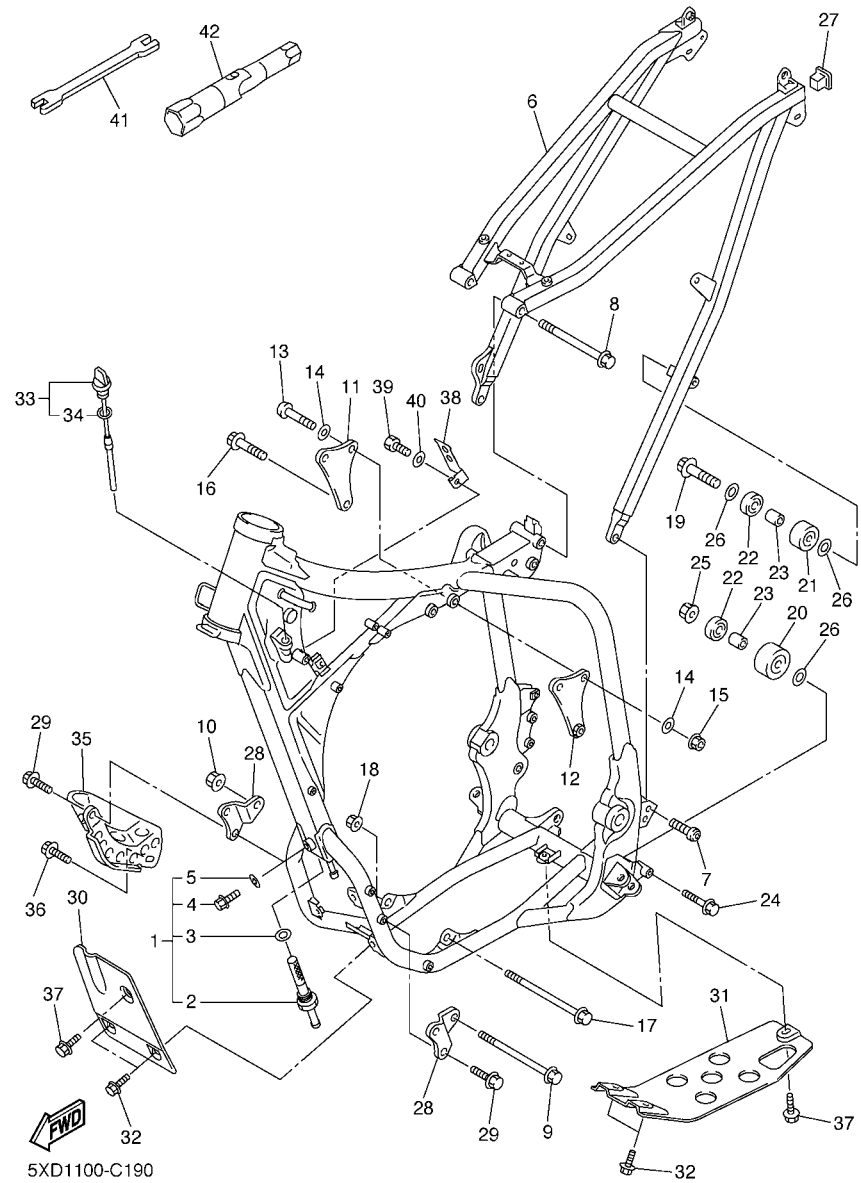




5XD1100-C190

FIG. 19 FRAME

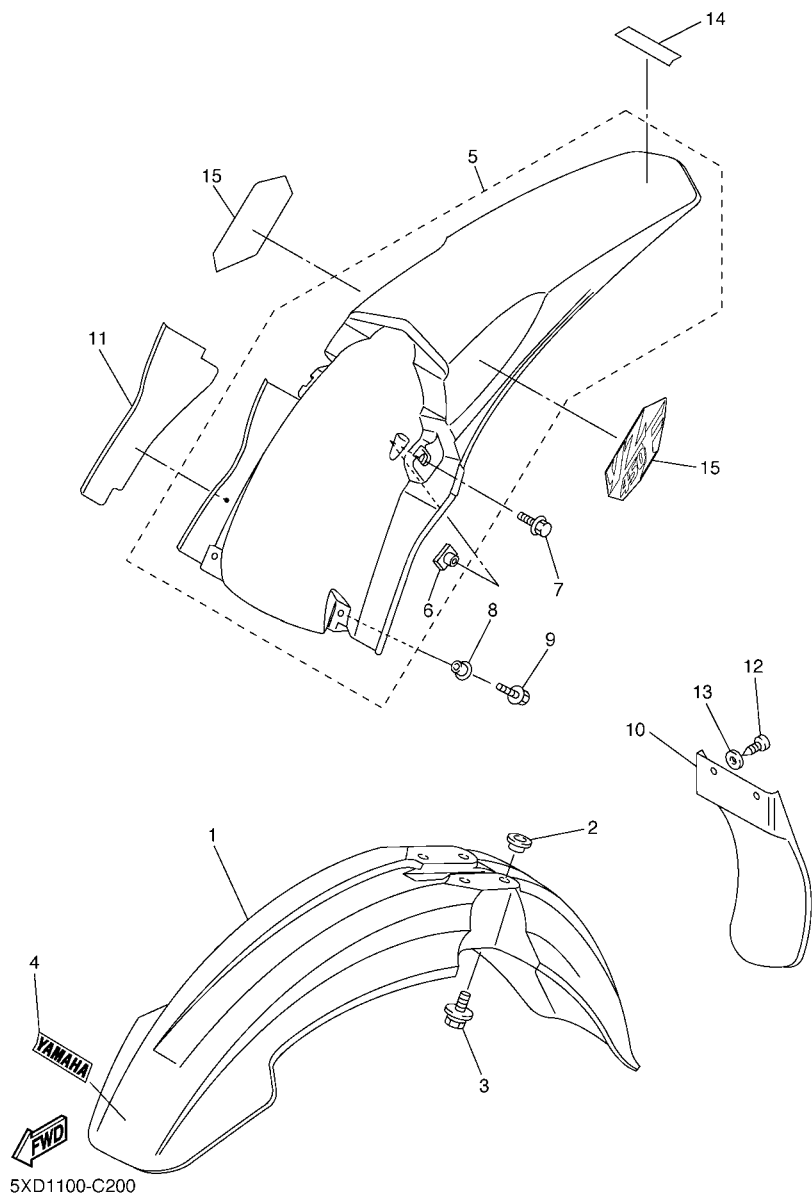
| REF. NO. | PART NO.     | DESCRIPTION               | 5XD1 | 5XD2 | 5XD3 | 5XD4 | REMARKS |
|----------|--------------|---------------------------|------|------|------|------|---------|
|          |              |                           |      |      |      |      |         |
| 1        | 5XD-21101-00 | FRONT FRAME COMP.         | 1    | 1    | 1    | 1    |         |
| 2        | 5TA-21756-00 | .NET, FILTER              | 1    | 1    | 1    | 1    |         |
| 3        | 90201-145M4  | .WASHER, PLATE            | 1    | 1    | 1    | 1    |         |
| 4        | 95827-08012  | .BOLT, FLANGE             | 1    | 1    | 1    | 1    |         |
| 5        | 90430-08119  | .GASKET                   | 1    | 1    | 1    | 1    |         |
| 6        | 5XD-21190-00 | REAR FRAME COMP.          | 1    | 1    | 1    | 1    |         |
| 7        | 90110-08096  | BOLT, HEXAGON SOCKET HEAD | 2    | 2    | 2    | 2    |         |
| 8        | 90105-08120  | BOLT, FLANGE              | 1    | 1    | 1    | 1    |         |
| 9        | 95817-10160  | BOLT, FLANGE              | 1    | 1    | 1    | 1    |         |
| 10       | 90179-10658  | NUT                       | 1    | 1    | 1    | 1    |         |
| 11       | 5XD-21425-00 | BRACKET, REAR UPPER 1     | 1    | 1    | 1    | 1    |         |
| 12       | 5XD-21425-10 | BRACKET, REAR UPPER 1     | 1    | 1    | 1    | 1    |         |
| 13       | 92017-10060  | BOLT, BUTTON HEAD         | 2    | 2    | 2    | 2    |         |
| 14       | 90201-104R2  | WASHER, PLATE             | 4    | 4    | 4    | 4    |         |
| 15       | 90179-10658  | NUT                       | 2    | 2    | 2    | 2    |         |
| 16       | 95817-10055  | BOLT, FLANGE              | 1    | 1    | 1    | 1    |         |
| 17       | 90105-10733  | BOLT, FLANGE              | 1    | 1    | 1    | 1    |         |
| 18       | 90179-10658  | NUT                       | 1    | 1    | 1    | 1    |         |
| 19       | 95027-08040  | BOLT, FLANGE              | 1    | 1    | 1    | 1    |         |
| 20       | 3JD-22178-10 | TENSIONER                 | 1    | 1    | 1    | 1    |         |
| 21       | 4EW-22178-00 | TENSIONER                 | 1    | 1    | 1    | 1    |         |
| 22       | 93300-60804  | BEARING                   | 2    | 2    | 2    | 2    |         |
| 23       | 90387-086N4  | COLLAR                    | 2    | 2    | 2    | 2    |         |
| 24       | 95027-08065  | BOLT, FLANGE              | 1    | 1    | 1    | 1    |         |
| 25       | 95707-08500  | NUT, FLANGE               | 1    | 1    | 1    | 1    |         |
| 26       | 90201-086P8  | WASHER, PLATE             | 3    | 3    | 3    | 3    |         |
| 27       | 90338-18176  | PLUG                      | 1    | 1    | 1    | 1    |         |



**FIG. 19 FRAME**

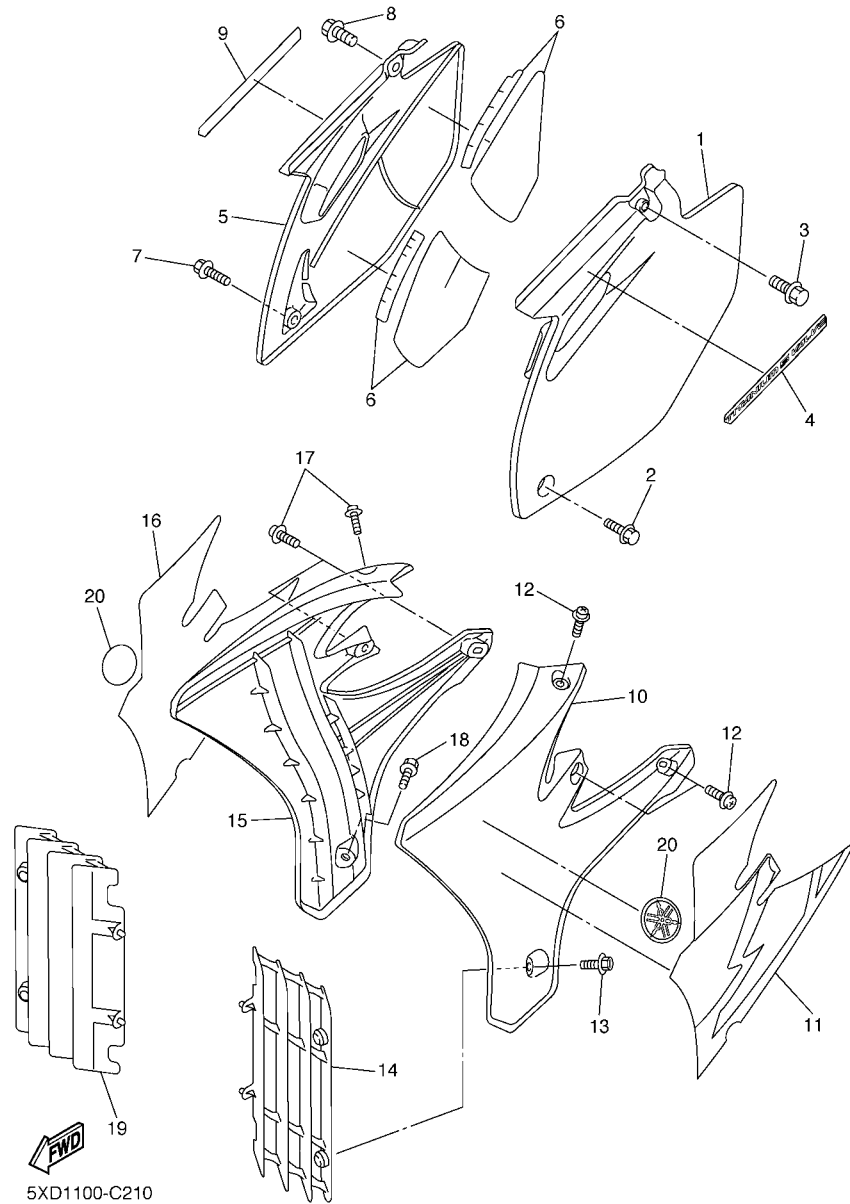
| REF. NO. | PART NO.     | DESCRIPTION            | 5XD1 | 5XD2 | 5XD3 | 5XD4 | REMARKS |
|----------|--------------|------------------------|------|------|------|------|---------|
| 28       | 5TA-21417-00 | BRACKET, FRONT LOWER 1 | 2    | 2    | 2    | 2    |         |
| 29       | 95817-08016  | BOLT, FLANGE           | 4    | 4    | 4    | 4    |         |
| 30       | 5TA-21471-00 | PROTECTOR, ENGINE      | 1    | 1    | 1    | 1    |         |
| 31       | 5TA-2147E-00 | GUARD, ENGINE 2        | 1    | 1    | 1    | 1    |         |
| 32       | 95027-06012  | BOLT, FLANGE           | 4    | 4    | 4    | 4    |         |
| 33       | 5TA-15362-01 | PLUG, OIL LEVEL        | 1    | 1    | 1    | 1    |         |
| 34       | 93210-08001  | .O-RING                | 1    | 1    | 1    | 1    |         |
| 35       | 5TA-2147A-00 | GUARD, ENGINE 1        | 1    | 1    | 1    | 1    |         |
| 36       | 95817-08012  | BOLT, FLANGE           | 1    | 1    | 1    | 1    |         |
| 37       | 90119-06001  | BOLT, WITH WASHER      | 2    | 2    | 2    | 2    |         |
| 38       | 5XD-21274-00 | BRACKET, C.D.I. UNIT   | 1    | 1    | 1    | 1    |         |
| 39       | 97027-06012  | BOLT                   | 1    | 1    | 1    | 1    |         |
| 40       | 92907-06600  | WASHER, PLATE          | 1    | 1    | 1    | 1    |         |
| 41       | 5ET-28166-00 | WRENCH, HEXAGON        | 1    | 1    | 1    | 1    |         |
| 42       | 5TA-2814F-00 | BOX, SPARK PLUG        | 1    | 1    | 1    | 1    |         |
|          |              |                        |      |      |      |      |         |
|          |              |                        |      |      |      |      |         |
|          |              |                        |      |      |      |      |         |
|          |              |                        |      |      |      |      |         |

**FIG. 20 FENDER**

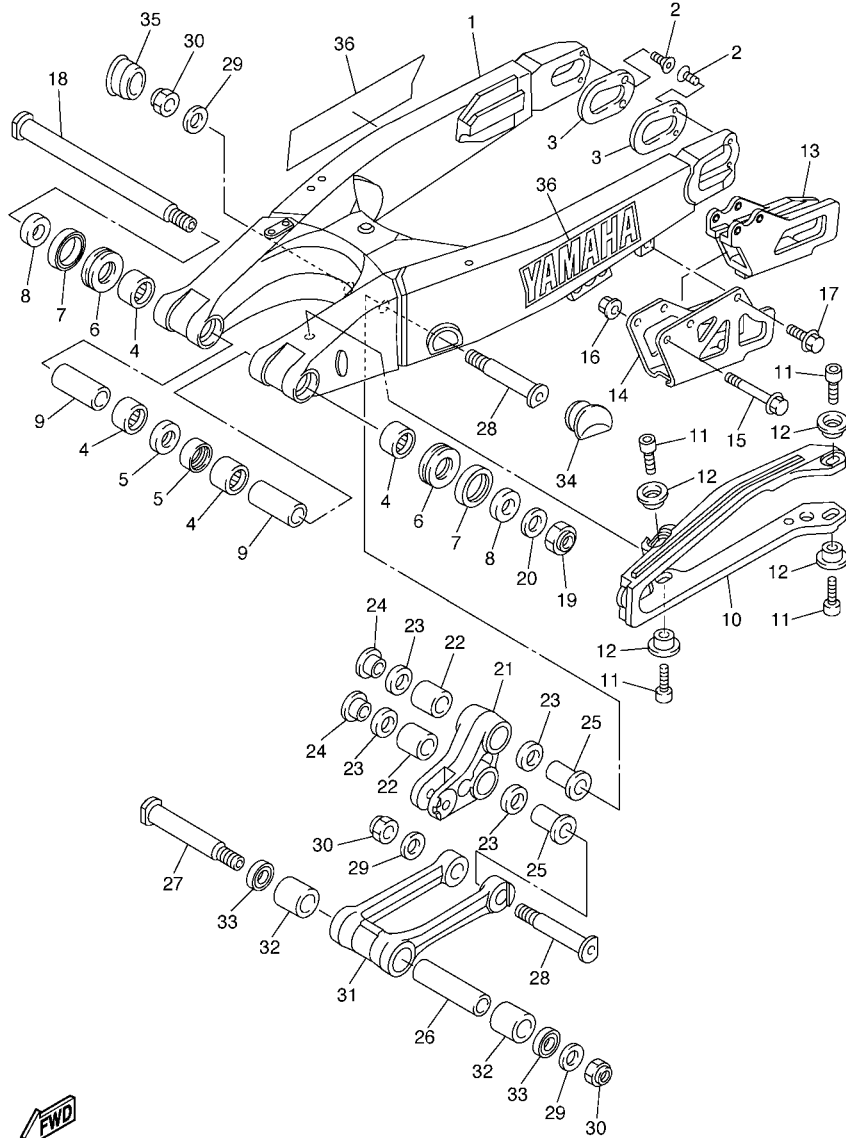


| REF. NO. | PART NO.     | DESCRIPTION             | 5XD1 | 5XD2 | 5XD3 | 5XD4 | REMARKS |
|----------|--------------|-------------------------|------|------|------|------|---------|
| 1        | 5HD-21511-00 | FENDER, FRONT           | 1    | 1    | 1    | 1    |         |
| 2        | 3JD-21748-00 | COLLAR                  | 4    | 4    | 4    | 4    |         |
| 3        | 90119-06096  | BOLT, WITH WASHER       | 4    | 4    | 4    | 4    |         |
| 4        | 4ES-2153E-01 | EMBLEM, YAMAHA          | 1    | 1    | 1    | 1    |         |
| 5        | 5XD-21610-00 | REAR FENDER COMP.       | 1    | 1    | 1    | 1    |         |
| 6        | 5XD-21635-00 | .NUT, REAR FENDER       | 2    | 2    | 2    | 2    |         |
| 7        | 90119-06192  | BOLT, WITH WASHER       | 2    | 2    | 2    | 2    |         |
| 8        | 90387-06009  | COLLAR                  | 2    | 2    | 2    | 2    |         |
| 9        | 90119-06225  | BOLT, WITH WASHER       | 2    | 2    | 2    | 2    |         |
| 10       | 5TA-21642-00 | GUARD, FLAP             | 1    | 1    | 1    | 1    |         |
| 11       | 5TA-2174T-00 | INSULATOR, SIDE COVER 2 | 1    | 1    | 1    | 1    |         |
| 12       | 97707-60016  | SCREW, TAPPING          | 2    | 2    | 2    | 2    |         |
| 13       | 90201-06557  | WASHER, PLATE           | 2    | 2    | 2    | 2    |         |
| 14       | 4ES-2153E-01 | EMBLEM, YAMAHA          | 1    | 1    | 1    | 1    |         |
| 15       | 5XD-2163G-00 | EMBLEM 1                | 2    | 2    | 2    | 2    |         |
|          |              |                         |      |      |      |      |         |
|          |              |                         |      |      |      |      |         |
|          |              |                         |      |      |      |      |         |
|          |              |                         |      |      |      |      |         |

FIG. 21 SIDE COVER



| REF. NO. | PART NO.     | DESCRIPTION           | 5XD1 | 5XD2 | 5XD3 | 5XD4 | REMARKS |
|----------|--------------|-----------------------|------|------|------|------|---------|
| 1        | 5TA-21711-00 | COVER, SIDE 1         | 1    | 1    | 1    | 1    |         |
| 2        | 95827-06016  | BOLT, FLANGE          | 1    | 1    | 1    | 1    |         |
| 3        | 90119-08238  | BOLT, WITH WASHER     | 1    | 1    | 1    | 1    |         |
| 4        | 5XD-21781-00 | EMBLEM 1              | 1    | 1    | 1    | 1    |         |
| 5        | 5TA-21721-00 | COVER, SIDE 2         | 1    | 1    | 1    | 1    |         |
| 6        | 5TA-2174A-00 | INSULATOR, SIDE COVER | 1    | 1    | 1    | 1    |         |
| 7        | 95827-06016  | BOLT, FLANGE          | 1    | 1    | 1    | 1    |         |
| 8        | 90119-08238  | BOLT, WITH WASHER     | 1    | 1    | 1    | 1    |         |
| 9        | 5XD-21781-00 | EMBLEM 1              | 1    | 1    | 1    | 1    |         |
| 10       | 5TA-21730-00 | SIDE COVER ASSY 3     | 1    | 1    | 1    | 1    |         |
| 11       | 5XD-2173E-00 | GRAPHIC 1             | 1    | 1    | 1    | 1    |         |
| 12       | 90159-06182  | SCREW, WITH WASHER    | 3    | 3    | 3    | 3    |         |
| 13       | 90159-06078  | SCREW, WITH WASHER    | 1    | 1    | 1    | 1    |         |
| 14       | 5TA-2172A-00 | PANEL 1               | 1    | 1    | 1    | 1    |         |
| 15       | 5TA-21740-00 | SIDE COVER ASSY 4     | 1    | 1    | 1    | 1    |         |
| 16       | 5XD-2173F-00 | GRAPHIC 2             | 1    | 1    | 1    | 1    |         |
| 17       | 90159-06182  | SCREW, WITH WASHER    | 3    | 3    | 3    | 3    |         |
| 18       | 90159-06078  | SCREW, WITH WASHER    | 1    | 1    | 1    | 1    |         |
| 19       | 5TA-2172A-00 | PANEL 1               | 1    | 1    | 1    | 1    |         |
| 20       | 5MV-2175C-00 | TUNING FORK MARK      | 2    | 2    | 2    | 2    |         |

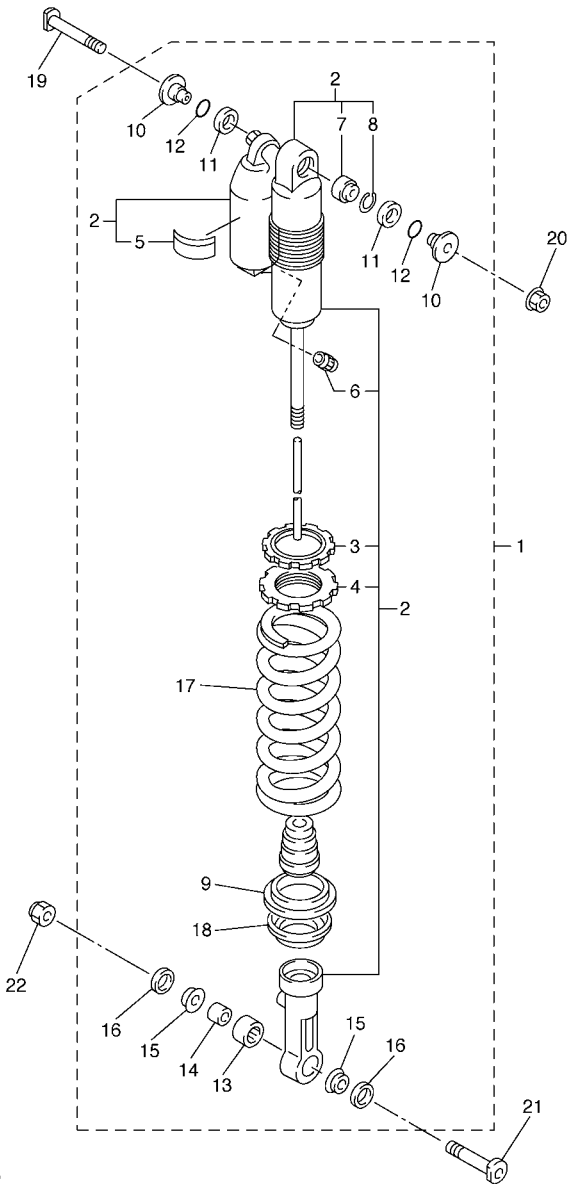


5XD1100-C220

FIG. 22 REAR ARM

| REF. NO. | PART NO.     | DESCRIPTION           | 5XD1 | 5XD2 | 5XD3 | 5XD4 | REMARKS |
|----------|--------------|-----------------------|------|------|------|------|---------|
| 1        | 5UN-22110-00 | REAR ARM COMP.        | 1    | 1    | 1    | 1    |         |
| 2        | 90151-04001  | SCREW, COUNTERSUNK    | 4    | 4    | 4    | 4    |         |
| 3        | 5UN-22355-00 | PATCH                 | 2    | 2    | 2    | 2    |         |
| 4        | 93317-22262  | BEARING               | 4    | 4    | 4    | 4    |         |
| 5        | 93106-22019  | OIL SEAL (DC 22-28-8) | 2    | 2    | 2    | 2    |         |
| 6        | 93342-22217  | BEARING               | 2    | 2    | 2    | 2    |         |
| 7        | 93109-28043  | OIL SEAL              | 2    | 2    | 2    | 2    |         |
| 8        | 90387-18005  | COLLAR                | 2    | 2    | 2    | 2    |         |
| 9        | 90387-18004  | COLLAR                | 2    | 2    | 2    | 2    |         |
| 10       | 5UN-22151-00 | SEAL, GUARD           | 1    | 1    | 1    | 1    |         |
| 11       | 91317-05008  | BOLT                  | 4    | 4    | 4    | 4    |         |
| 12       | 5JG-22156-00 | WASHER, PLATE         | 4    | 4    | 4    | 4    |         |
| 13       | 5UN-22199-00 | SUPPORT, CHAIN        | 1    | 1    | 1    | 1    |         |
| 14       | 5UN-22128-00 | COVER, THRUST 1       | 1    | 1    | 1    | 1    |         |
| 15       | 95027-06050  | BOLT, FLANGE          | 2    | 2    | 2    | 2    |         |
| 16       | 90179-06568  | NUT                   | 2    | 2    | 2    | 2    |         |
| 17       | 95027-06010  | BOLT, FLANGE          | 1    | 1    | 1    | 1    |         |
| 18       | 5NY-22141-01 | SHAFT, PIVOT          | 1    | 1    | 1    | 1    |         |
| 19       | 90185-16127  | NUT, SELF-LOCKING     | 1    | 1    | 1    | 1    |         |
| 20       | 90201-160F6  | WASHER, PLATE         | 1    | 1    | 1    | 1    |         |
| 21       | 5NY-2217A-00 | ARM, RELAY            | 1    | 1    | 1    | 1    |         |
| 22       | 93315-32056  | BEARING               | 2    | 2    | 2    | 2    |         |
| 23       | 93109-20076  | OIL SEAL              | 4    | 4    | 4    | 4    |         |
| 24       | 90387-16005  | COLLAR                | 2    | 2    | 2    | 2    |         |
| 25       | 90387-16007  | COLLAR                | 2    | 2    | 2    | 2    |         |
| 26       | 90387-167Y9  | COLLAR                | 1    | 1    | 1    | 1    |         |
| 27       | 5NY-22121-00 | SHAFT 1               | 1    | 1    | 1    | 1    |         |





5XD1100-C230

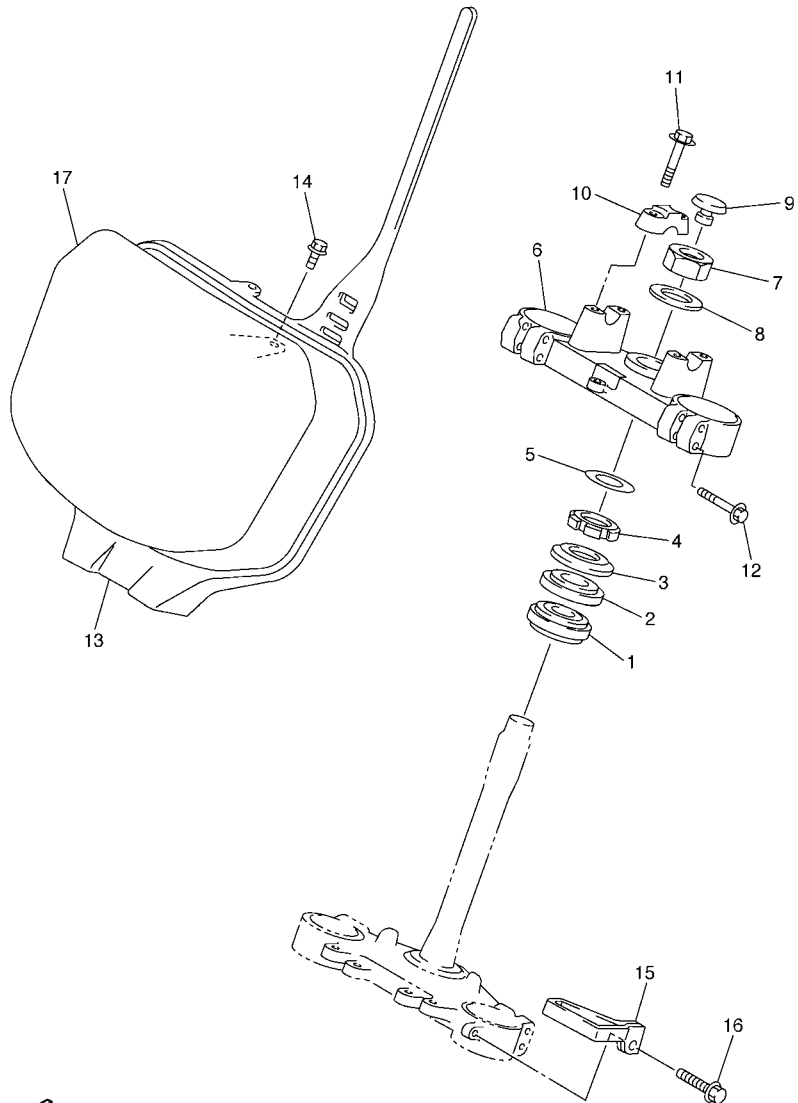
FIG. 23 REAR SUSPENSION

| REF. NO. | PART NO.     | DESCRIPTION                  | 5XD1 | 5XD2 | 5XD3 | 5XD4 | REMARKS    |
|----------|--------------|------------------------------|------|------|------|------|------------|
| 1        | 5XD-22210-40 | SHOCK ABSORBER ASSY, REAR    |      |      |      | 1    | FOR ZAF    |
| 2        | 5XD-22201-40 | .DAMPER SUB ASSY             |      |      |      | 1    | UR FOR ZAF |
| 3        | 3SP-22234-00 | ..GUIDE, SPRING 3            | 1    | 1    | 1    | 1    |            |
| 4        | 3SP-22213-00 | ..SEAT, SPRING UPPER         | 1    | 1    | 1    | 1    |            |
| 5        | 4AA-22259-40 | ..LABEL, WARNING             |      |      |      | 1    | UR FOR ZAF |
| 6        | 509-23184-L0 | ..CAP, AIR VALVE             | 1    | 1    | 1    | 1    |            |
| 7        | 4JX-22226-00 | ..BUSH, SHOCK ABSORBER LOWER | 1    | 1    | 1    | 1    |            |
| 8        | 5DH-23183-00 | ..CIRCLIP                    | 1    | 1    | 1    | 1    |            |
| 9        | 5MV-22224-00 | ..GUIDE, SPRING 2            | 1    | 1    | 1    | 1    |            |
| 10       | 5DH-22253-00 | .COLLAR, DISTANCE            | 2    | 2    | 2    | 2    |            |
| 11       | 3JE-22475-00 | .SEAL, DUST                  | 2    | 2    | 2    | 2    |            |
| 12       | 4EW-22474-00 | .SEAL, RING                  | 2    | 2    | 2    | 2    |            |
| 13       | 5UN-22176-00 | .BEARING                     | 1    | 1    | 1    | 1    |            |
| 14       | 5MV-22184-00 | .BUSH                        | 1    | 1    | 1    | 1    |            |
| 15       | 5MV-22253-00 | .COLLAR, DISTANCE            | 2    | 2    | 2    | 2    |            |

D6







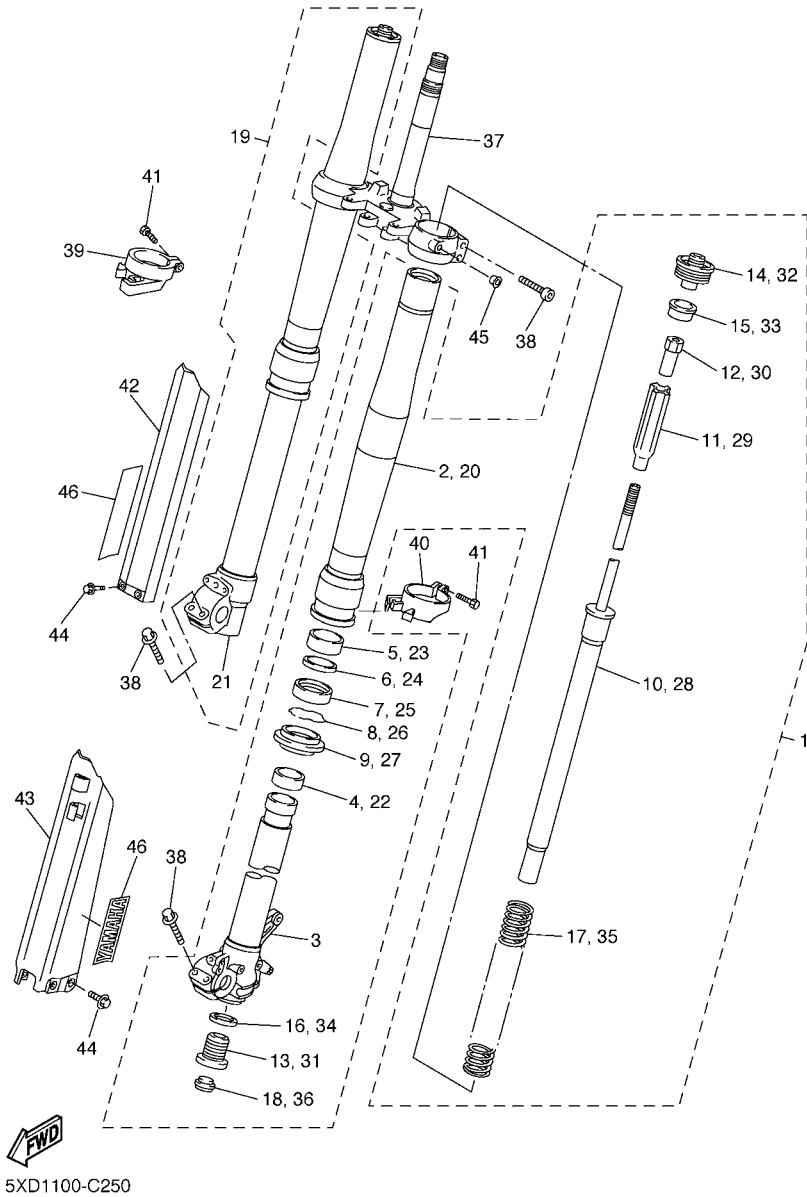
**FIG. 24 STEERING**

| REF. NO. | PART NO.     | DESCRIPTION          | 5XD1 | 5XD2 | 5XD3 | 5XD4 | REMARKS |
|----------|--------------|----------------------|------|------|------|------|---------|
| 1        | 93332-00081  | BEARING              | 1    | 1    | 1    | 1    |         |
| 2        | 93332-00068  | BEARING              | 1    | 1    | 1    | 1    |         |
| 3        | 4EW-23416-00 | COVER, BALL RACE 2   | 1    | 1    | 1    | 1    |         |
| 4        | 90179-28003  | NUT                  | 1    | 1    | 1    | 1    |         |
| 5        | 90201-286K9  | WASHER, PLATE        | 1    | 1    | 1    | 1    |         |
| 6        | 5XE-23435-00 | CROWN, HANDLE        | 1    | 1    | 1    | 1    |         |
| 7        | 5TA-23357-00 | NUT                  | 1    | 1    | 1    | 1    |         |
| 8        | 90201-247L2  | WASHER, PLATE        | 1    | 1    | 1    | 1    |         |
| 9        | 5TJ-2319U-00 | CAP                  | 1    | 1    | 1    | 1    |         |
| 10       | 5XE-23441-00 | HOLDER, HANDLE UPPER | 2    | 2    | 2    | 2    |         |
| 11       | 95027-08035  | BOLT, FLANGE         | 4    | 4    | 4    | 4    |         |
| 12       | 95027-08040  | BOLT, FLANGE         | 4    | 4    | 4    | 4    |         |
| 13       | 5HD-23485-00 | PLATE, NUMBER        | 1    | 1    | 1    | 1    |         |
| 14       | 95027-06014  | BOLT, FLANGE         | 1    | 1    | 1    | 1    |         |
| 15       | 5XE-23389-00 | GUIDE, CABLE         | 1    | 1    | 1    | 1    |         |
| 16       | 95027-06020  | BOLT, FLANGE         | 1    | 1    | 1    | 1    |         |
| 17       | 5HD-2339E-00 | GRAPHIC 1            | 1    | 1    | 1    | 1    |         |



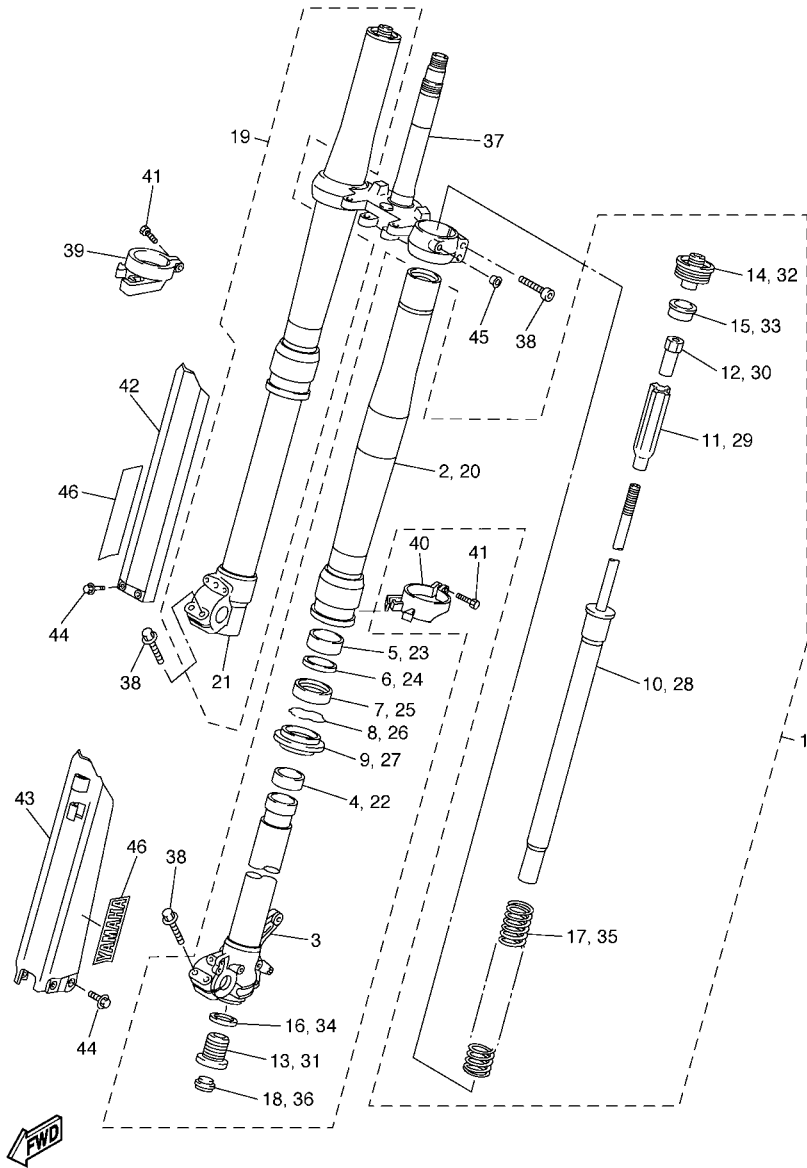
5XD1100-C240

FIG. 25 FRONT FORK



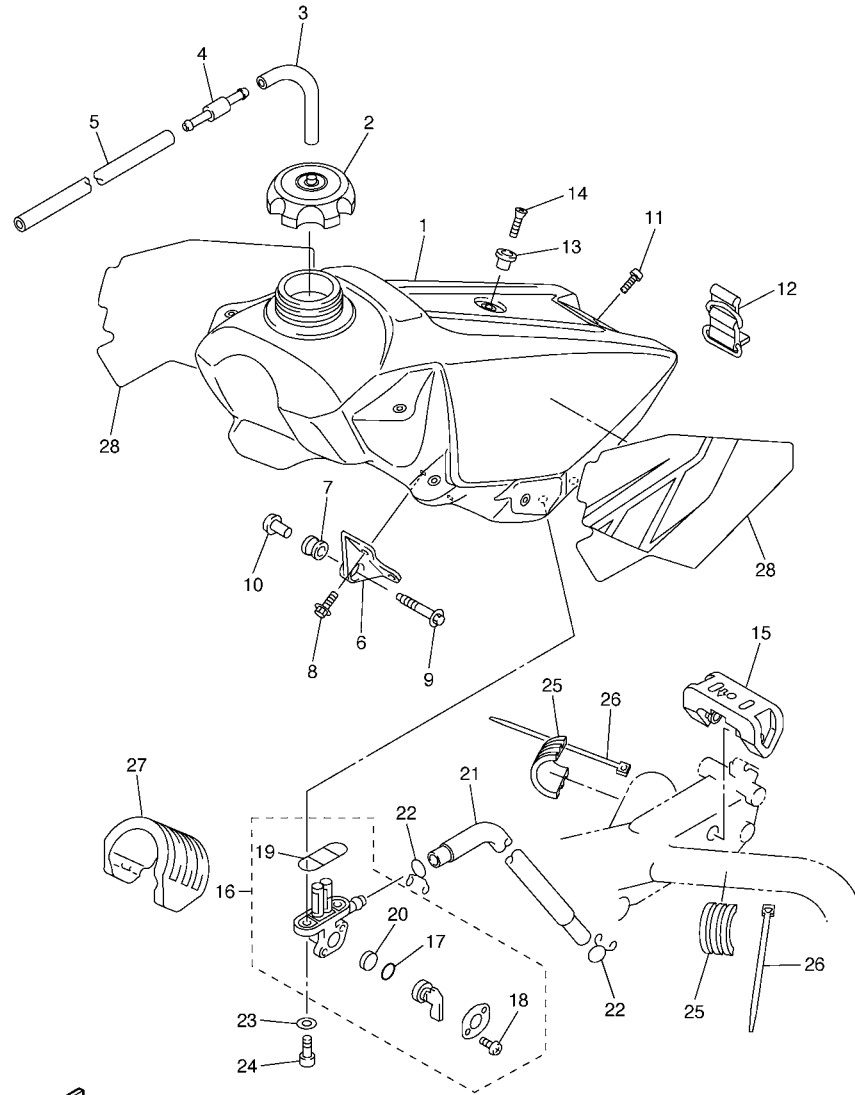
| REF. NO. | PART NO.     | DESCRIPTION                 | 5XD1 | 5XD2 | 5XD3 | 5XD4 | REMARKS |
|----------|--------------|-----------------------------|------|------|------|------|---------|
| 1        | 5XD-23102-00 | FRONT FORK ASSY (L.H)       | 1    |      | 1    | 1    |         |
| 2        | 5XD-23136-L0 | .TUBE, OUTER (RIGHT)        | 1    | 1    | 1    | 1    |         |
| 3        | 5XE-23120-L0 | .INNER TUBE COMP.2          | 1    | 1    | 1    | 1    |         |
| 4        | 5XE-23171-L0 | .PISTON, FRONT FORK         | 1    | 1    | 1    | 1    |         |
| 5        | 5XE-23125-L0 | .METAL, SLIDE 1             | 1    | 1    | 1    | 1    |         |
| 6        | 5XE-23146-L0 | .WASHER, OIL SEAL           | 1    | 1    | 1    | 1    |         |
| 7        | 5XE-23145-L0 | .OIL SEAL                   | 1    | 1    | 1    | 1    |         |
| 8        | 5XE-23153-L0 | .RING, SNAP                 | 1    | 1    | 1    | 1    |         |
| 9        | 5XE-23144-L0 | .SEAL, DUST                 | 1    | 1    | 1    | 1    |         |
| 10       | 5XD-23170-L0 | .CYLINDER COMP., FRONT FORK | 1    |      | 1    | 1    |         |
| 11       | 5XE-23142-L0 | .SEAT, SPRING UPPER         | 1    | 1    | 1    | 1    |         |
| 12       | 5XE-23393-L0 | .NUT, SPECIAL               | 1    | 1    | 1    | 1    |         |
| 13       | 5XD-2316A-L0 | .VALVE COMP.                | 1    |      | 1    | 1    |         |
|          | 5XD-2316A-M0 | .VALVE COMP.                |      | 1    |      |      |         |
| 14       | 5XE-23111-L0 | .BOLT, CAP                  | 1    | 1    | 1    | 1    |         |
| 15       | 5XE-23117-L0 | .GUIDE, SPRING              | 1    | 1    | 1    | 1    |         |
| 16       | 4SS-23158-L0 | .GASKET                     | 1    | 1    | 1    | 1    |         |
| 17       | 5XD-23141-L0 | .SPRING (K=4.5N/MM)         | 1    |      | 1    | 1    |         |
| 18       | 3JD-2312G-L0 | .PLUG                       | 1    | 1    | 1    | 1    |         |
| 19       | 5XD-23103-00 | FRONT FORK ASSY (R.H)       | 1    |      | 1    | 1    |         |
| 20       | 5XD-23136-L0 | .TUBE, OUTER (RIGHT)        | 1    | 1    | 1    | 1    |         |
| 21       | 5XE-23110-L0 | .INNER TUBE COMP.1          | 1    | 1    | 1    | 1    |         |
| 22       | 5XE-23171-L0 | .PISTON, FRONT FORK         | 1    | 1    | 1    | 1    |         |

FIG. 25 FRONT FORK



5XD1100-C250

| REF. NO. | PART NO.     | DESCRIPTION                 | 5XD1 | 5XD2 | 5XD3 | 5XD4 | REMARKS |
|----------|--------------|-----------------------------|------|------|------|------|---------|
| 23       | 5XE-23125-L0 | .METAL, SLIDE 1             | 1    | 1    | 1    | 1    |         |
| 24       | 5XE-23146-L0 | .WASHER, OIL SEAL           | 1    | 1    | 1    | 1    |         |
| 25       | 5XE-23145-L0 | .OIL SEAL                   | 1    | 1    | 1    | 1    |         |
| 26       | 5XE-23153-L0 | .RING, SNAP                 | 1    | 1    | 1    | 1    |         |
| 27       | 5XE-23144-L0 | .SEAL, DUST                 | 1    | 1    | 1    | 1    |         |
| 28       | 5XD-23170-L0 | .CYLINDER COMP., FRONT FORK | 1    |      | 1    | 1    |         |
| 29       | 5XE-23142-L0 | .SEAT, SPRING UPPER         | 1    | 1    | 1    | 1    |         |
| 30       | 5XE-23393-L0 | .NUT, SPECIAL               | 1    | 1    | 1    | 1    |         |
| 31       | 5XD-2316A-L0 | .VALVE COMP.                | 1    |      | 1    | 1    |         |
|          | 5XD-2316A-M0 | .VALVE COMP.                |      |      | 1    |      |         |
| 32       | 5XE-23111-L0 | .BOLT, CAP                  | 1    | 1    | 1    | 1    |         |
| 33       | 5XE-23117-L0 | .GUIDE, SPRING              | 1    | 1    | 1    | 1    |         |
| 34       | 4SS-23158-L0 | .GASKET                     | 1    | 1    | 1    | 1    |         |
| 35       | 5XD-23141-L0 | .SPRING (K=4.5N/MM)         | 1    |      | 1    | 1    |         |
| 36       | 3JD-2312G-L0 | .PLUG                       | 1    | 1    | 1    | 1    |         |
| 37       | 5XF-23340-L0 | UNDER BRACKET COMP.         | 1    | 1    | 1    | 1    |         |
| 38       | 5NY-23346-L0 | BOLT 1                      | 8    | 8    | 8    | 8    |         |
| 39       | 5XE-2314G-L0 | PROTECTOR GUIDE COMP., 2    | 1    | 1    | 1    | 1    |         |
| 40       | 5XE-2314F-L0 | PROTECTOR GUIDE COMP., 1    | 1    | 1    | 1    | 1    |         |
| 41       | 4SS-23346-L0 | BOLT 1                      | 2    | 2    | 2    | 2    |         |
| 42       | 5TA-2314J-00 | PROTECTOR COMP., 2          | 1    | 1    | 1    | 1    |         |
| 43       | 5TA-2314H-00 | PROTECTOR COMP., 1          | 1    | 1    | 1    | 1    |         |
| 44       | 3SP-23356-L0 | BOLT 2                      | 6    | 6    | 6    | 6    |         |
| 45       | 5XE-23113-00 | COLLAR                      | 1    | 1    | 1    | 1    |         |
| 46       | 4XL-2153A-10 | EMBLEM, YAMAHA              | 2    | 2    | 2    | 2    |         |

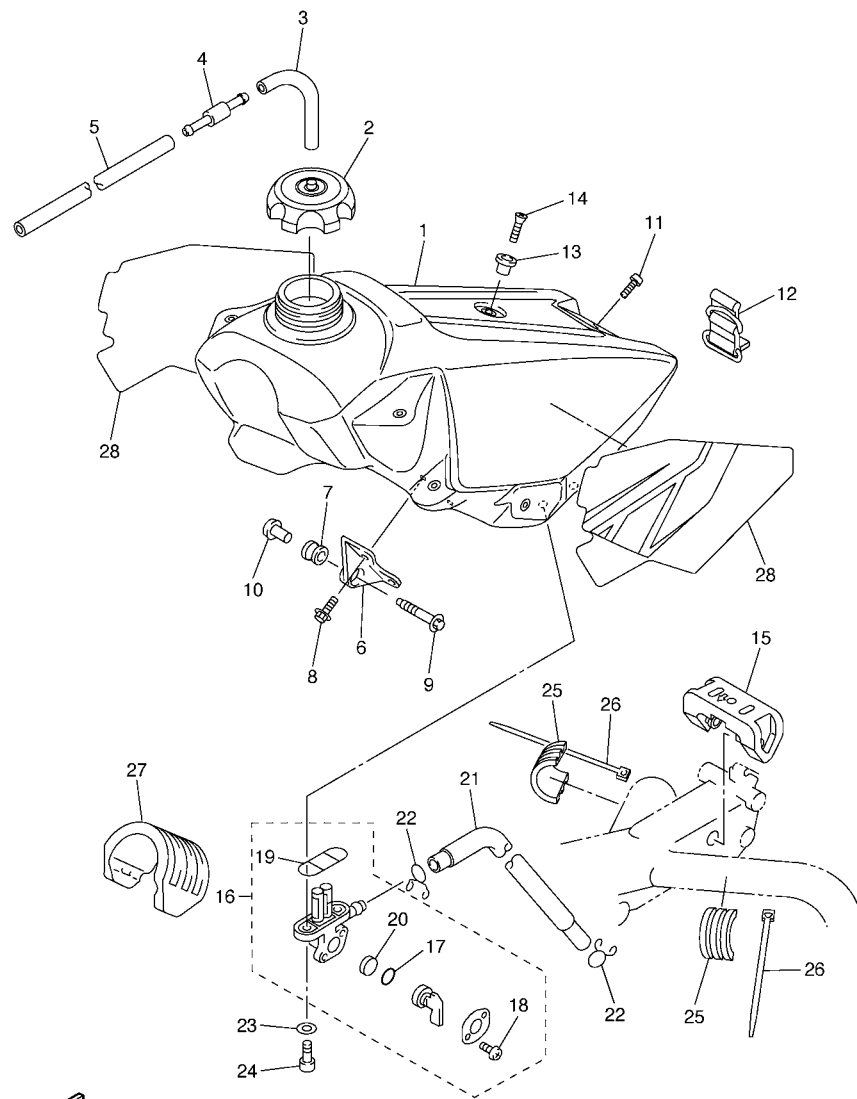


5XD1100-C260

FIG. 26 FUEL TANK

| REF. NO. | PART NO.     | DESCRIPTION          | 5XD1 | 5XD2 | 5XD3 | 5XD4 | REMARKS |
|----------|--------------|----------------------|------|------|------|------|---------|
| 1        | 5XD-24110-00 | FUEL TANK COMP.      | 1    | 1    | 1    | 1    |         |
| 2        | 5NY-24610-00 | CAP ASSY             | 1    | 1    | 1    | 1    |         |
| 3        | 90445-09220  | HOSE (L30)           | 1    | 1    | 1    | 1    |         |
| 4        | 3XJ-24380-00 | PIPE JOINT ASSY      | 1    | 1    | 1    | 1    |         |
| 5        | 90445-09095  | HOSE (L215)          | 1    | 1    | 1    | 1    |         |
| 6        | 5XE-24144-00 | HOLDER, DAMPER       | 2    | 2    | 2    | 2    |         |
| 7        | 90480-18549  | GROMMET              | 2    | 2    | 2    | 2    |         |
| 8        | 95027-06016  | BOLT, FLANGE         | 4    | 4    | 4    | 4    |         |
| 9        | 5XE-24176-00 | BOLT 1               | 2    | 2    | 2    | 2    |         |
| 10       | 5NY-24186-00 | WASHER, SPECIAL      | 2    | 2    | 2    | 2    |         |
| 11       | 98907-06025  | SCREW, BIND          | 1    | 1    | 1    | 1    |         |
| 12       | 5SF-24173-00 | BAND, TANK FITTING 1 | 1    | 1    | 1    | 1    |         |
| 13       | 4EW-2412F-00 | BRACKET, SEAT        | 1    | 1    | 1    | 1    |         |
| 14       | 98707-06025  | SCREW, FLAT HEAD     | 1    | 1    | 1    | 1    |         |
| 15       | 4SS-24181-00 | DAMPER, LOCATING 1   | 1    | 1    | 1    | 1    |         |
| 16       | 4DP-24500-00 | FUEL COCK ASSY 1     | 1    | 1    | 1    | 1    |         |
| 17       | 3AJ-24534-00 | .SEAL, COCK          | 1    | 1    | 1    | 1    |         |
| 18       | 97801-03008  | .SCREW, PAN HEAD     | 2    | 2    | 2    | 2    |         |
| 19       | 4X8-24512-00 | .O-RING              | 1    | 1    | 1    | 1    |         |
| 20       | 3AJ-24523-00 | .VALVE PACKING       | 1    | 1    | 1    | 1    |         |
| 21       | 90445-11185  | HOSE                 | 1    | 1    | 1    | 1    |         |
| 22       | 90467-10008  | CLIP                 | 2    | 2    | 2    | 2    |         |
| 23       | 90202-05193  | WASHER, PLATE        | 2    | 2    | 2    | 2    |         |
| 24       | 90149-06011  | SCREW                | 2    | 2    | 2    | 2    |         |
| 25       | 5NY-24183-00 | DAMPER, LOCATING 3   | 2    | 2    | 2    | 2    |         |
| 26       | 90465-13152  | CLAMP                | 2    | 2    | 2    | 2    |         |
| 27       | 5BE-24182-00 | DAMPER, LOCATING 2   | 1    | 1    | 1    | 1    |         |

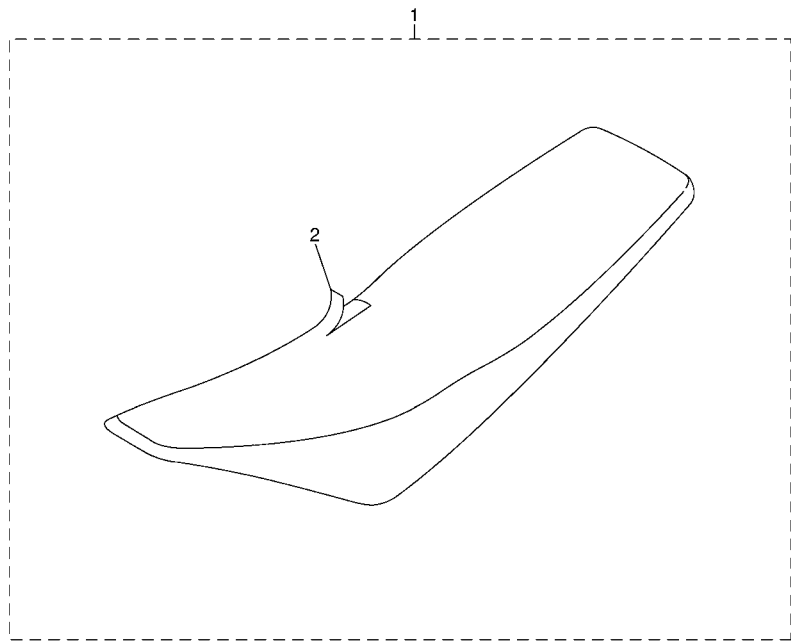
FIG. 26 FUEL TANK



5XD1100-C260

| REF. NO. | PART NO.     | DESCRIPTION | 5XD1 | 5XD2 | 5XD3 | 5XD4 | REMARKS |
|----------|--------------|-------------|------|------|------|------|---------|
| 28       | 5XD-24240-00 | GRAPHIC SET | 1    | 1    | 1    | 1    |         |
| -----    |              |             |      |      |      |      |         |
| -----    |              |             |      |      |      |      |         |
| -----    |              |             |      |      |      |      |         |
| -----    |              |             |      |      |      |      |         |
| -----    |              |             |      |      |      |      |         |
| -----    |              |             |      |      |      |      |         |
| -----    |              |             |      |      |      |      |         |
| -----    |              |             |      |      |      |      |         |
| -----    |              |             |      |      |      |      |         |

FIG. 27 SEAT

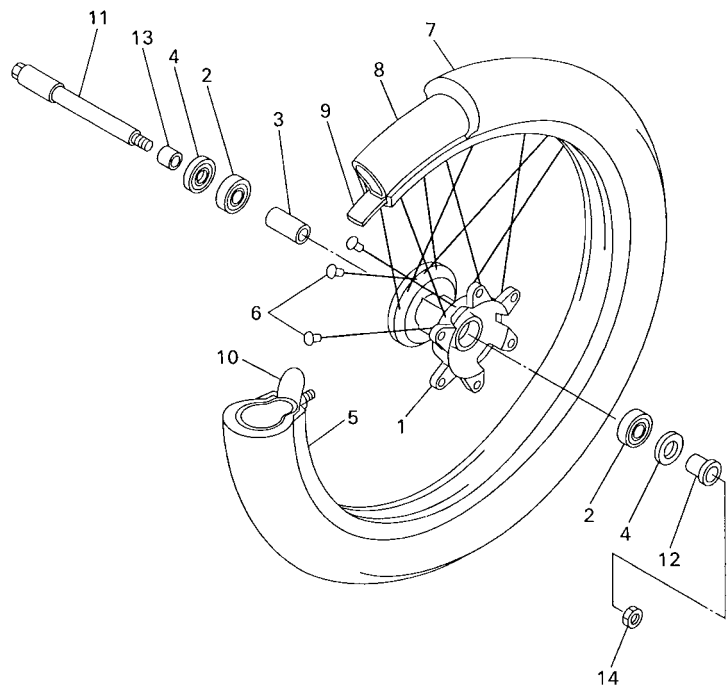


| REF. NO. | PART NO.     | DESCRIPTION       | 5XD1 | 5XD2 | 5XD3 | 5XD4 | REMARKS |
|----------|--------------|-------------------|------|------|------|------|---------|
| 1        | 5XD-24710-00 | SINGLE SEAT ASSY  | 1    | 1    | 1    | 1    |         |
| 2        | 5XD-2470F-00 | .SEAT COVER COMP. | 1    | 1    | 1    | 1    |         |
|          |              |                   |      |      |      |      |         |
|          |              |                   |      |      |      |      |         |
|          |              |                   |      |      |      |      |         |
|          |              |                   |      |      |      |      |         |
|          |              |                   |      |      |      |      |         |
|          |              |                   |      |      |      |      |         |
|          |              |                   |      |      |      |      |         |
|          |              |                   |      |      |      |      |         |



5XD1100-C270

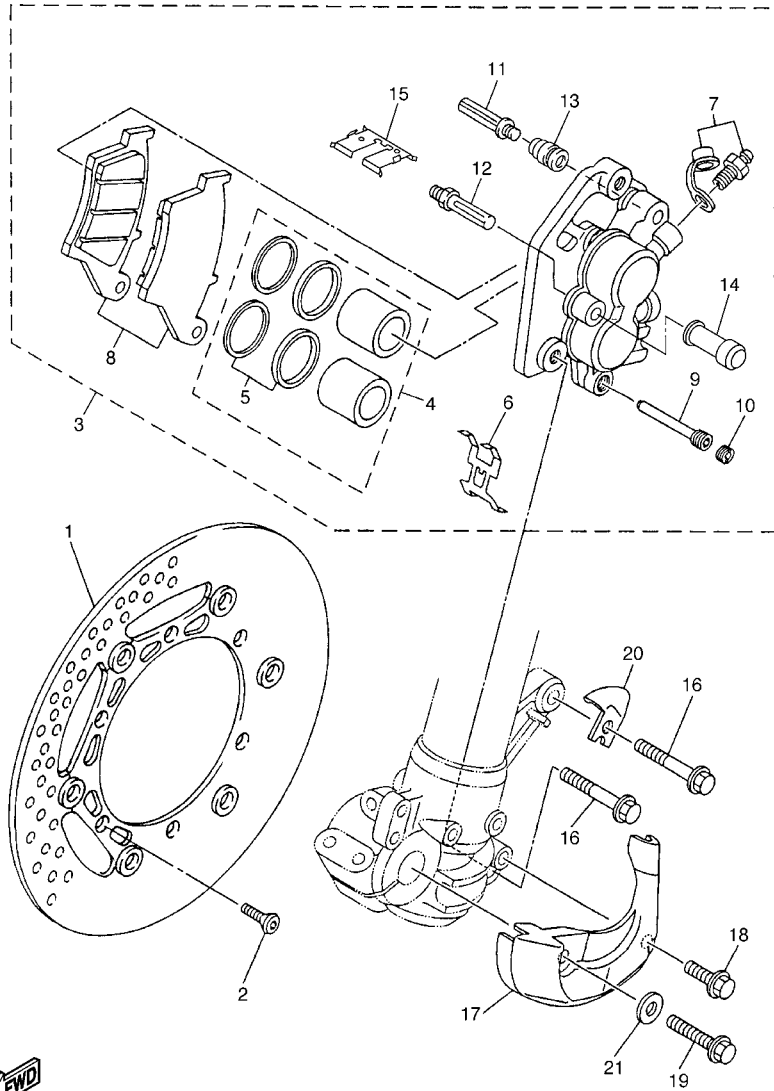
FIG. 28 FRONT WHEEL



| REF. NO. | PART NO.     | DESCRIPTION                 | 5XD1 | 5XD2 | 5XD3 | 5XD4 | REMARKS |
|----------|--------------|-----------------------------|------|------|------|------|---------|
| 1        | 5NY-25111-00 | HUB, FRONT                  | 1    | 1    | 1    | 1    |         |
| 2        | 93306-90403  | BEARING                     | 2    | 2    | 2    | 2    |         |
| 3        | 5NY-25117-00 | SPACER, BEARING             | 1    | 1    | 1    | 1    |         |
| 4        | 93102-26468  | OIL SEAL                    | 2    | 2    | 2    | 2    |         |
| 5        | 94416-21003  | RIM (1.60-21)               | 1    | 1    | 1    | 1    |         |
| 6        | 5NY-25104-00 | SPOKE SET, FRONT            | 1    | 1    | 1    | 1    |         |
| 7        | L.M.         | TYRE (80/100-21 51M D739FA) |      |      |      | 1    |         |
| 8        | L.M.         | TUBE (80/100-21 M/C TR4)    |      |      |      | 1    |         |
| 9        | 94309-21161  | BAND, RIM (1.60-21)         | 1    | 1    |      | 1    |         |
| 10       | 5SF-25394-00 | SPACER, BEAD                | 1    | 1    | 1    | 1    |         |
| 11       | 5BE-25181-00 | AXLE, WHEEL                 | 1    | 1    | 1    | 1    |         |
| 12       | 5NY-25183-00 | COLLAR, WHEEL               | 1    | 1    | 1    | 1    |         |
| 13       | 5NY-25186-00 | COLLAR, WHEEL               | 1    | 1    | 1    | 1    |         |
| 14       | 90179-16672  | NUT                         | 1    | 1    | 1    | 1    |         |



5BE100-8280



5XD1100-C290

**FIG. 29 FRONT BRAKE CALIPER**

| REF. NO. | PART NO.     | DESCRIPTION           | 5XD1 | 5XD2 | 5XD3 | 5XD4 | REMARKS |
|----------|--------------|-----------------------|------|------|------|------|---------|
| 1        | 5MV-2581T-00 | DISC BRAKE ASSY       | 1    | 1    | 1    | 1    |         |
| 2        | 90149-06327  | SCREW                 | 6    | 6    | 6    | 6    |         |
| 3        | 5UN-2580T-00 | CALIPER ASSY (LEFT)   | 1    | 1    | 1    | 1    |         |
| 4        | 5UN-W0057-00 | .PISTON ASSY, CALIPER | 1    | 1    | 1    | 1    |         |
| 5        | 3JD-W0047-00 | ..CALIPER SEAL KIT    | 1    | 1    | 1    | 1    |         |
| 6        | 5DH-25919-00 | ..SUPPORT, PAD        | 1    | 1    | 1    | 1    |         |
| 7        | 1UY-W0048-50 | .BLEED SCREW KIT      | 1    | 1    | 1    | 1    |         |
| 8        | 5MV-W0045-01 | .BRAKE PAD KIT        | 1    | 1    | 1    | 1    |         |
| 9        | 5DH-25933-00 | .PIN, PAD             | 1    | 1    | 1    | 1    |         |
| 10       | 5DH-25916-00 | .PLUG                 | 1    | 1    | 1    | 1    |         |
| 11       | 3SP-25926-51 | .BOLT                 | 1    | 1    | 1    | 1    |         |
| 12       | 3SP-25914-51 | .PIN, SLIDE           | 1    | 1    | 1    | 1    |         |
| 13       | 3JD-25917-00 | .BOOT, CALIPER        | 1    | 1    | 1    | 1    |         |
| 14       | 1UY-25937-51 | .BOOT 2               | 1    | 1    | 1    | 1    |         |
| 15       | 5DH-25849-00 | .RETAINER, CALIPER    | 1    | 1    | 1    | 1    |         |
| 16       | 90105-08659  | BOLT, FLANGE          | 2    | 2    | 2    | 2    |         |
| 17       | 5DH-2314E-00 | COVER, HOSE           | 1    | 1    | 1    | 1    |         |
| 18       | 95827-06012  | BOLT, FLANGE          | 1    | 1    | 1    | 1    |         |
| 19       | 95027-08020  | BOLT, FLANGE          | 1    | 1    | 1    | 1    |         |
| 20       | 5DH-25875-00 | HOLDER, BRAKE HOSE 1  | 1    | 1    | 1    | 1    |         |
| 21       | 92907-08200  | WASHER                | 1    | 1    | 1    | 1    |         |



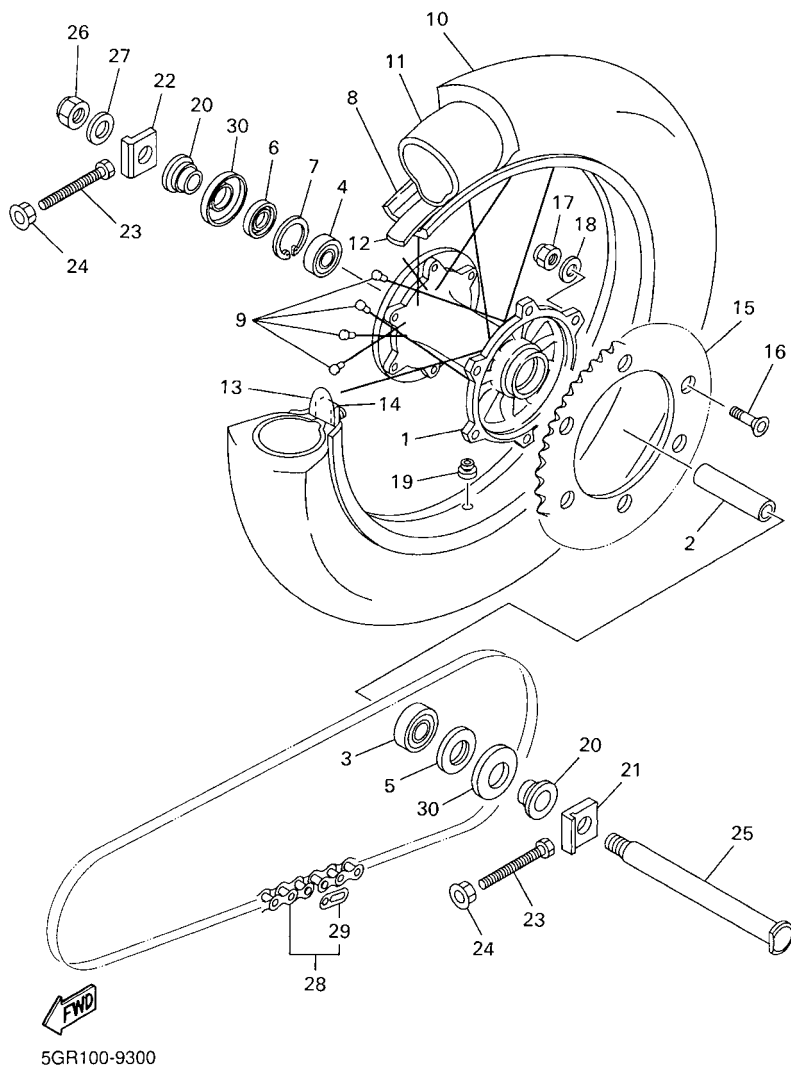
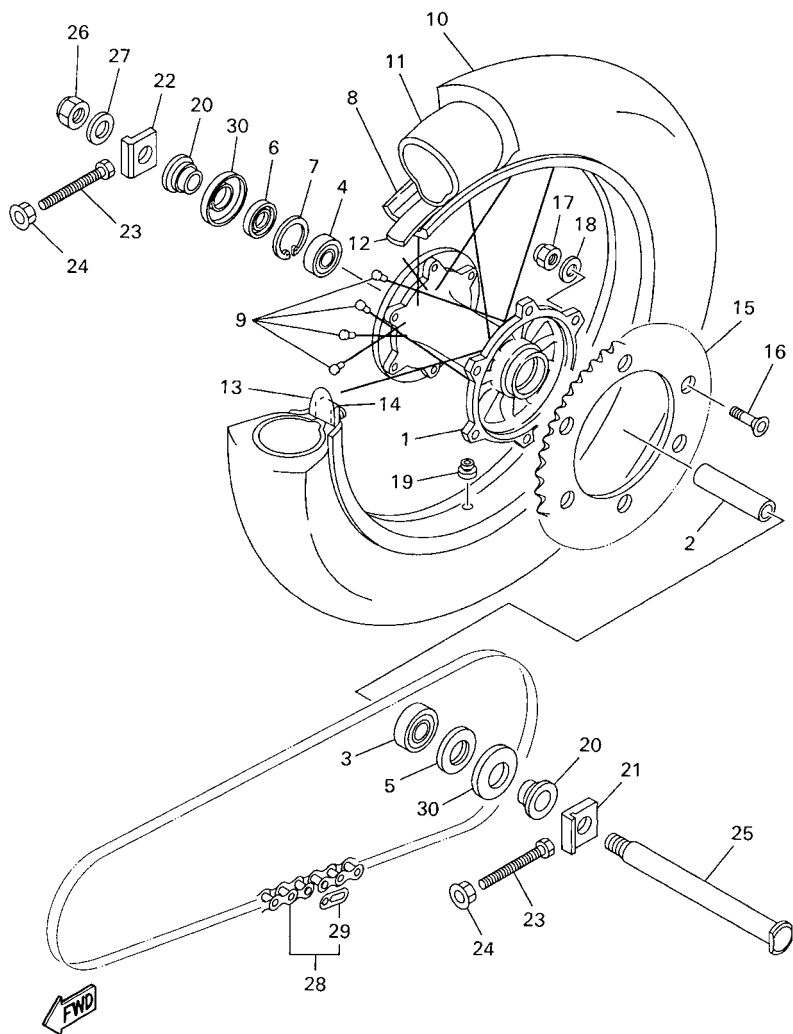


FIG. 30 REAR WHEEL

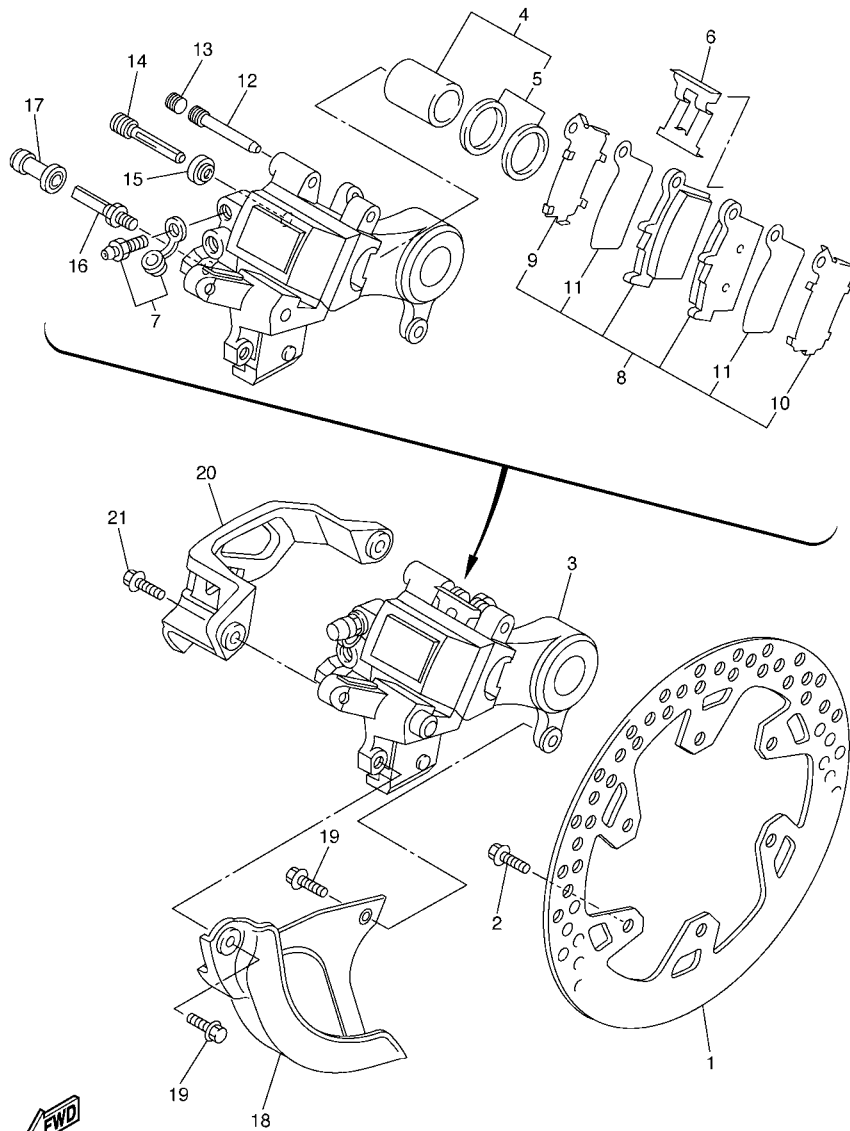
| REF. NO. | PART NO.     | DESCRIPTION               | 5XD1 | 5XD2 | 5XD3 | 5XD4 | REMARKS |
|----------|--------------|---------------------------|------|------|------|------|---------|
| 1        | 5ET-25311-00 | HUB, REAR                 | 1    | 1    | 1    | 1    |         |
| 2        | 5ET-25317-00 | SPACER, BEARING           | 1    | 1    | 1    | 1    |         |
| 3        | 93306-27205  | BEARING                   | 1    | 1    | 1    | 1    |         |
| 4        | 93306-07202  | BEARING                   | 1    | 1    | 1    | 1    |         |
| 5        | 93106-30044  | OIL SEAL                  | 1    | 1    | 1    | 1    |         |
| 6        | 93106-30045  | OIL SEAL                  | 1    | 1    | 1    | 1    |         |
| 7        | 99009-45500  | CIRCLIP                   | 1    | 1    | 1    | 1    |         |
| 8        | 94421-19602  | RIM (2.15-19)             | 1    | 1    | 1    | 1    |         |
| 9        | 5HD-25304-00 | SPOKE SET, REAR           | 1    | 1    | 1    | 1    |         |
| 10       | L.M.         | TYRE (110/90-19 62M D739) |      |      |      | 1    |         |
| 11       | L.M.         | TUBE (110/90-19 M/C TR4)  |      |      |      | 1    |         |
| 12       | 94311-19155  | BAND, RIM (2.15-19)       | 1    | 1    |      | 1    |         |
| 13       | 3JE-25394-00 | SPACER, BEAD              | 1    | 1    | 1    | 1    |         |
| 14       | 4XM-25364-00 | DAMPNER                   | 1    | 1    | 1    | 1    |         |
| 15       | 5NY-25448-00 | SPROCKET, DRIVEN (48T)    | 1    |      | 1    | 1    | STD     |
|          | 5TA-25446-00 | SPROCKET, DRIVEN (46T)    | 1    | 1    | 1    | 1    | AP      |
|          | 5ET-25447-00 | SPROCKET, DRIVEN (47T)    | 1    |      | 1    | 1    | AP      |
|          | 5NY-25449-00 | SPROCKET, DRIVEN (49T)    | 1    | 1    | 1    | 1    | AP      |

FIG. 30 REAR WHEEL



5GR100-9300

| REF. NO. | PART NO.     | DESCRIPTION                 | 5XD1 | 5XD2 | 5XD3 | 5XD4 | REMARKS |
|----------|--------------|-----------------------------|------|------|------|------|---------|
| 15       | 5NY-25450-00 | SPROCKET, DRIVEN (50T)      | 1    | 1    | 1    | 1    | AP      |
|          | 5NY-25451-00 | SPROCKET, DRIVEN (51T)      | 1    | 1    | 1    | 1    | AP      |
|          | 5NY-25452-00 | SPROCKET, DRIVEN (52T)      | 1    | 1    | 1    | 1    | AP      |
| 16       | 90109-081G1  | BOLT                        | 6    | 6    | 6    | 6    |         |
| 17       | 90185-08169  | NUT, SELF-LOCKING           | 6    | 6    | 6    | 6    |         |
| 18       | 90201-08326  | WASHER, PLATE               | 6    | 6    | 6    | 6    |         |
| 19       | 90480-08608  | GROMMET                     | 1    | 1    | 1    | 1    |         |
| 20       | 5UN-25383-00 | COLLAR, WHEEL               | 2    | 2    | 2    | 2    |         |
| 21       | 5NY-25388-00 | PULLER, CHAIN 1             | 1    | 1    | 1    | 1    |         |
| 22       | 5NY-25389-00 | PULLER, CHAIN 2             | 1    | 1    | 1    | 1    |         |
| 23       | 90101-08777  | BOLT                        | 2    | 2    | 2    | 2    |         |
| 24       | 95707-08500  | NUT, FLANGE                 | 2    | 2    | 2    | 2    |         |
| 25       | 5ET-25381-00 | AXLE, WHEEL                 | 1    | 1    | 1    | 1    |         |
| 26       | 90185-20168  | NUT, SELF-LOCKING           | 1    | 1    | 1    | 1    |         |
| 27       | 90201-203U1  | WASHER, PLATE               | 1    | 1    | 1    | 1    |         |
| 28       | 9Y581-92113  | CHAIN (DID 520D 114L)       | 1    |      | 1    | 1    |         |
| 29       | 94681-68001  | .JOINT,CHAIN (DID 520DM-RJ) | 1    | 1    | 1    | 1    |         |
| 30       | 5ET-25367-00 | COVER, HUB DUST             | 2    | 2    | 2    | 2    |         |
|          |              |                             |      |      |      |      |         |
|          |              |                             |      |      |      |      |         |
|          |              |                             |      |      |      |      |         |



5XD1100-C310

FIG. 31 REAR BRAKE CALIPER

| REF. NO. | PART NO.     | DESCRIPTION           | 5XD1 | 5XD2 | 5XD3 | 5XD4 | REMARKS |
|----------|--------------|-----------------------|------|------|------|------|---------|
| 1        | 5NY-2582W-00 | DISC, REAR BRAKE 2    | 1    | 1    | 1    | 1    |         |
| 2        | 90109-065G4  | BOLT                  | 6    | 6    | 6    | 6    |         |
| 3        | 5UN-2580W-10 | CALIPER ASSY, REAR 2  | 1    | 1    | 1    | 1    |         |
| 4        | 5UN-W0057-50 | .PISTON ASSY, CALIPER | 1    | 1    | 1    | 1    |         |
| 5        | 5UN-W0047-50 | ..CALIPER SEAL KIT    | 1    | 1    | 1    | 1    |         |
| 6        | 5DH-25919-50 | ..SUPPORT, PAD        | 1    | 1    | 1    | 1    |         |
| 7        | 1UY-W0048-50 | .BLEED SCREW KIT      | 1    | 1    | 1    | 1    |         |
| 8        | 5UN-W0046-51 | .BRAKE PAD KIT 2      | 1    | 1    | 1    | 1    |         |
| 9        | 5UN-25828-60 | ..SHIM, CALIPER       | 1    | 1    | 1    | 1    |         |
| 10       | 5UN-25827-60 | ..SHIM, CALIPER       | 1    | 1    | 1    | 1    |         |
| 11       | 5UN-22898-60 | ..INSULATOR, HEAT     | 2    | 2    | 2    | 2    |         |
| 12       | 8CR-25924-00 | .PIN, PAD             | 1    | 1    | 1    | 1    |         |
| 13       | 5DH-25916-00 | .PLUG                 | 1    | 1    | 1    | 1    |         |
| 14       | 5DH-25914-50 | .PIN, SLIDE           | 1    | 1    | 1    | 1    |         |
| 15       | 3JD-25917-00 | .BOOT, CALIPER        | 1    | 1    | 1    | 1    |         |
| 16       | 5UN-25914-00 | .PIN, SLIDE           | 1    | 1    | 1    | 1    |         |
| 17       | 1UY-25937-51 | .BOOT 2               | 1    | 1    | 1    | 1    |         |
| 18       | 5DH-25718-01 | PROTECTOR, DISK BRAKE | 1    | 1    | 1    | 1    |         |
| 19       | 95027-06012  | BOLT, FLANGE          | 2    | 2    | 2    | 2    |         |
| 20       | 5TA-27491-00 | PROTECTOR             | 1    | 1    | 1    | 1    |         |
| 21       | 95027-06016  | BOLT, FLANGE          | 2    | 2    | 2    | 2    |         |

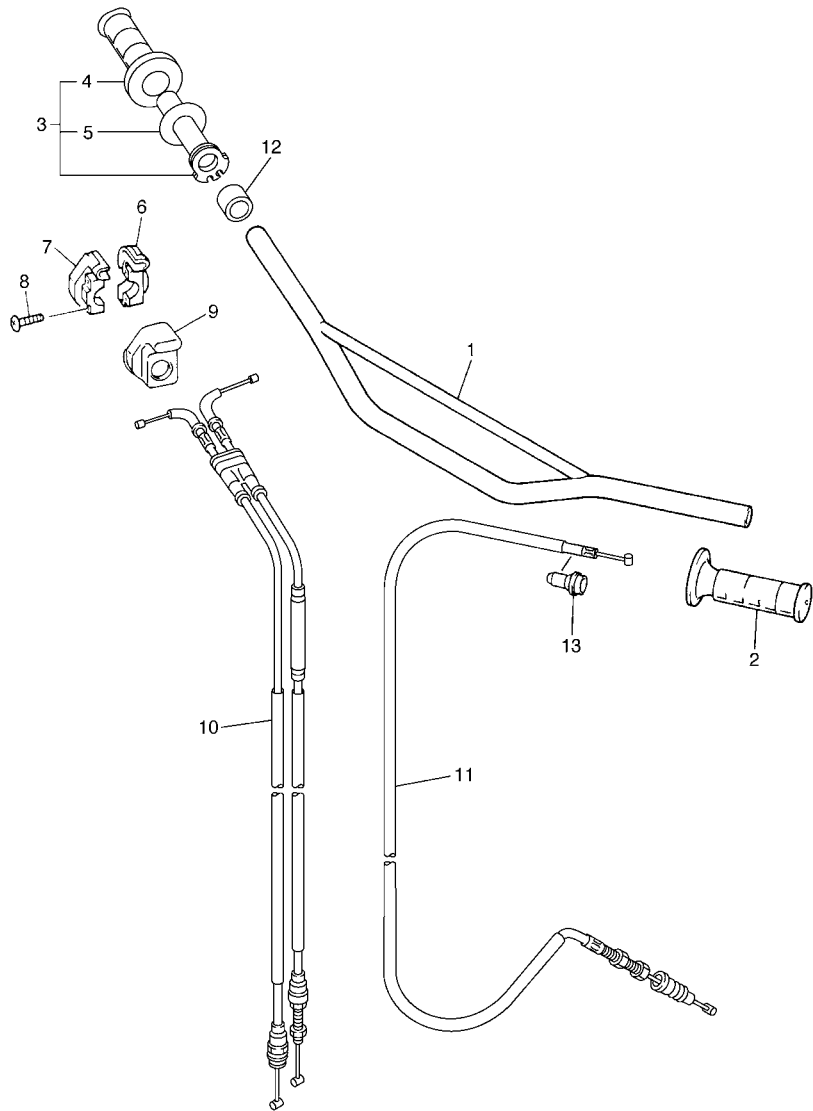
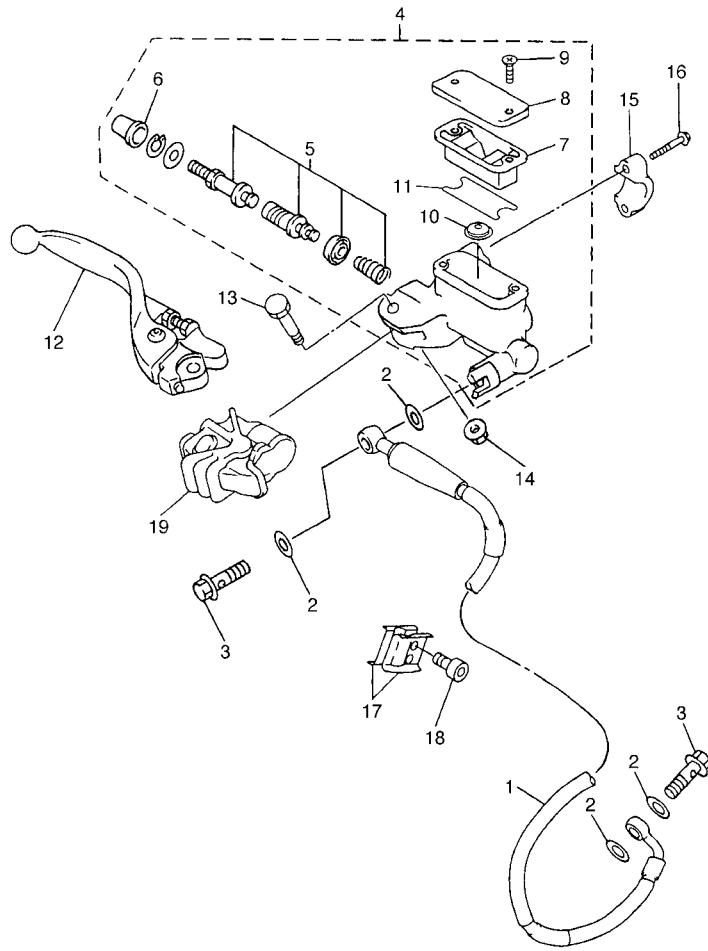


FIG. 32 STEERING HANDLE & CABLE

| REF. NO. | PART NO.     | DESCRIPTION         | 5XD1 | 5XD2 | 5XD3 | 5XD4 | REMARKS |
|----------|--------------|---------------------|------|------|------|------|---------|
| 1        | 4XM-26111-00 | HANDLEBAR           | 1    | 1    | 1    | 1    |         |
| 2        | 4GY-26241-00 | GRIP                | 1    | 1    | 1    | 1    |         |
| 3        | 5BE-26240-00 | GRIP ASSY           | 1    | 1    | 1    | 1    |         |
| 4        | 4GY-26242-00 | .GRIP (RIGHT)       | 1    | 1    | 1    | 1    |         |
| 5        | 3Y1-26249-00 | .RING, LEAF         | 1    | 1    | 1    | 1    |         |
| 6        | 5BE-26281-00 | CAP, GRIP UPPER     | 1    | 1    | 1    | 1    |         |
| 7        | 5BE-26282-00 | CAP, GRIP LOWER     | 1    | 1    | 1    | 1    |         |
| 8        | 98507-05020  | SCREW, PAN HEAD     | 2    | 2    | 2    | 2    |         |
| 9        | 5SF-26287-00 | COVER, CAP GRIP     | 1    | 1    | 1    | 1    |         |
| 10       | 5XD-26302-00 | THROTTLE CABLE ASSY | 1    | 1    | 1    | 1    |         |
| 11       | 5UL-26335-00 | CABLE, CLUTCH       | 1    | 1    | 1    | 1    |         |
| 12       | 90387-225N2  | COLLAR              | 1    | 1    | 1    | 1    |         |
| 13       | 5HD-26342-00 | BOOT, CABLE         | 1    | 1    | 1    | 1    |         |
|          |              |                     |      |      |      |      |         |
|          |              |                     |      |      |      |      |         |
|          |              |                     |      |      |      |      |         |
|          |              |                     |      |      |      |      |         |

  
5XD1100-C320

**FIG. 33 FRONT MASTER CYLINDER**

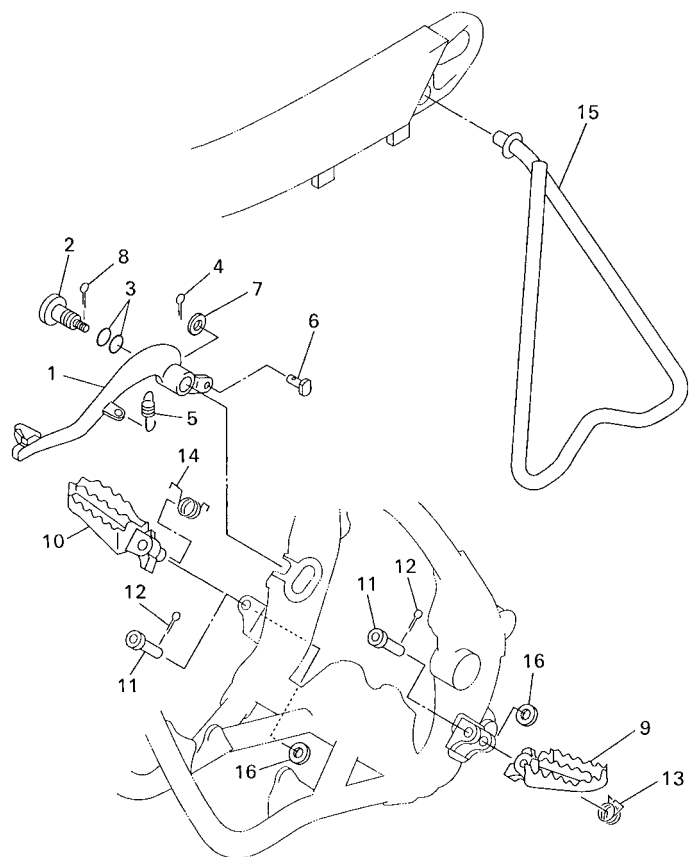


| REF. NO. | PART NO.     | DESCRIPTION              | 5XD1 | 5XD2 | 5XD3 | 5XD4 | REMARKS |
|----------|--------------|--------------------------|------|------|------|------|---------|
| 1        | 5ET-25872-00 | HOSE, BRAKE 1            | 1    | 1    | 1    | 1    |         |
| 2        | 90201-10118  | WASHER, PLATE            | 4    | 4    | 4    | 4    |         |
| 3        | 90401-10172  | BOLT, UNION              | 2    | 2    | 2    | 2    |         |
| 4        | 5XE-W2587-00 | MASTER CYLINDER SUB ASSY | 1    | 1    | 1    | 1    |         |
| 5        | 5NY-W0041-00 | .CYLINDER KIT, MASTER    | 1    | 1    | 1    | 1    |         |
| 6        | 5NY-25868-00 | .BOOT, MASTER CYLINDER   | 1    | 1    | 1    | 1    |         |
| 7        | 5XE-25854-00 | .DIAPHRAGM, RESERVOIR    | 1    | 1    | 1    | 1    |         |
| 8        | 5MV-25852-01 | .CAP, RESERVOIR          | 1    | 1    | 1    | 1    |         |
| 9        | 98706-04012  | .SCREW, FLAT HEAD        | 2    | 2    | 2    | 2    |         |
| 10       | 5CG-25715-00 | .SEPARATOR ASSY          | 1    | 1    | 1    | 1    |         |
| 11       | 5XE-25853-00 | .FLOAT, RESERVOIR        | 1    | 1    | 1    | 1    |         |
| 12       | 5MV-83922-00 | LEVER 2                  | 1    | 1    | 1    | 1    |         |
| 13       | 5MV-2589F-00 | BOLT, LEVER              | 1    | 1    | 1    | 1    |         |
| 14       | 95701-06500  | NUT, FLANGE              | 1    | 1    | 1    | 1    |         |
| 15       | 5MV-25867-00 | BRACKET, MASTER CYLINDER | 1    | 1    | 1    | 1    |         |
| 16       | 5MV-25833-00 | BOLT, FITTING            | 2    | 2    | 2    | 2    |         |
| 17       | 90465-16258  | CLAMP                    | 2    | 2    | 2    | 2    |         |
| 18       | 91317-06014  | BOLT                     | 2    | 2    | 2    | 2    |         |
| 19       | 5NY-26372-00 | COVER, HANDLE LEVER 1    | 1    | 1    | 1    | 1    |         |



5XD1100-C330

**FIG. 34 STAND & FOOTREST**



| REF. NO. | PART NO.     | DESCRIPTION     | 5XD1 | 5XD2 | 5XD3 | 5XD4 | REMARKS |
|----------|--------------|-----------------|------|------|------|------|---------|
| 1        | 5TA-27200-00 | PEDAL, BRAKE    | 1    | 1    | 1    | 1    |         |
| 2        | 5JG-27217-00 | BOLT            | 1    | 1    | 1    | 1    |         |
| 3        | 93210-11073  | O-RING          | 2    | 2    | 2    | 2    |         |
| 4        | 91401-20012  | PIN, COTTER     | 1    | 1    | 1    | 1    |         |
| 5        | 90506-16500  | SPRING, TENSION | 1    | 1    | 1    | 1    |         |
| 6        | 90240-08120  | PIN, CLEVIS     | 1    | 1    | 1    | 1    |         |
| 7        | 90201-08089  | WASHER, PLATE   | 1    | 1    | 1    | 1    |         |
| 8        | 90468-16191  | CLIP            | 1    | 1    | 1    | 1    |         |
| 9        | 5XE-27411-00 | FOOTREST 1      | 1    | 1    | 1    | 1    |         |
| 10       | 5XE-27421-00 | FOOTREST 2      | 1    | 1    | 1    | 1    |         |
| 11       | 90240-10142  | PIN, CLEVIS     | 2    | 2    | 2    | 2    |         |
| 12       | 91401-25015  | PIN, COTTER     | 2    | 2    | 2    | 2    |         |
| 13       | 90508-282B8  | SPRING, TORSION | 1    | 1    | 1    | 1    |         |
| 14       | 90508-282B9  | SPRING, TORSION | 1    | 1    | 1    | 1    |         |
| 15       | 5ET-27311-00 | STAND, SIDE     | 1    | 1    | 1    | 1    |         |
| 16       | 90201-10119  | WASHER, PLATE   | 2    | 2    | 2    | 2    |         |
|          |              |                 |      |      |      |      |         |
|          |              |                 |      |      |      |      |         |
|          |              |                 |      |      |      |      |         |

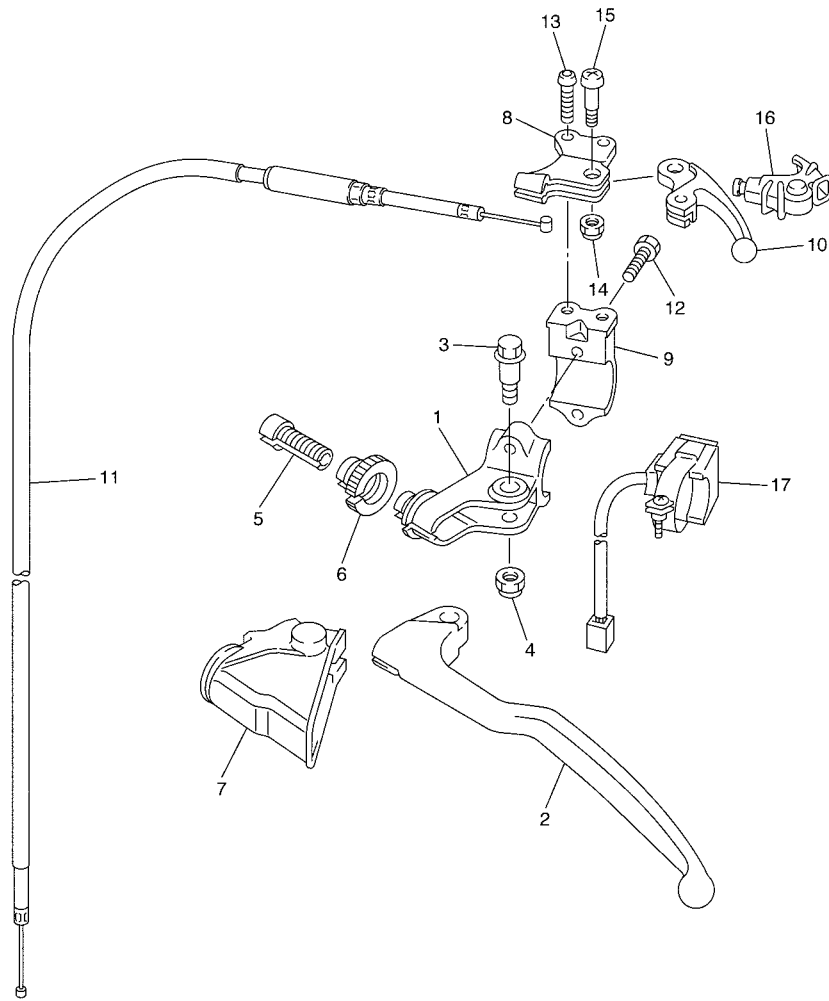


5BE100-8340





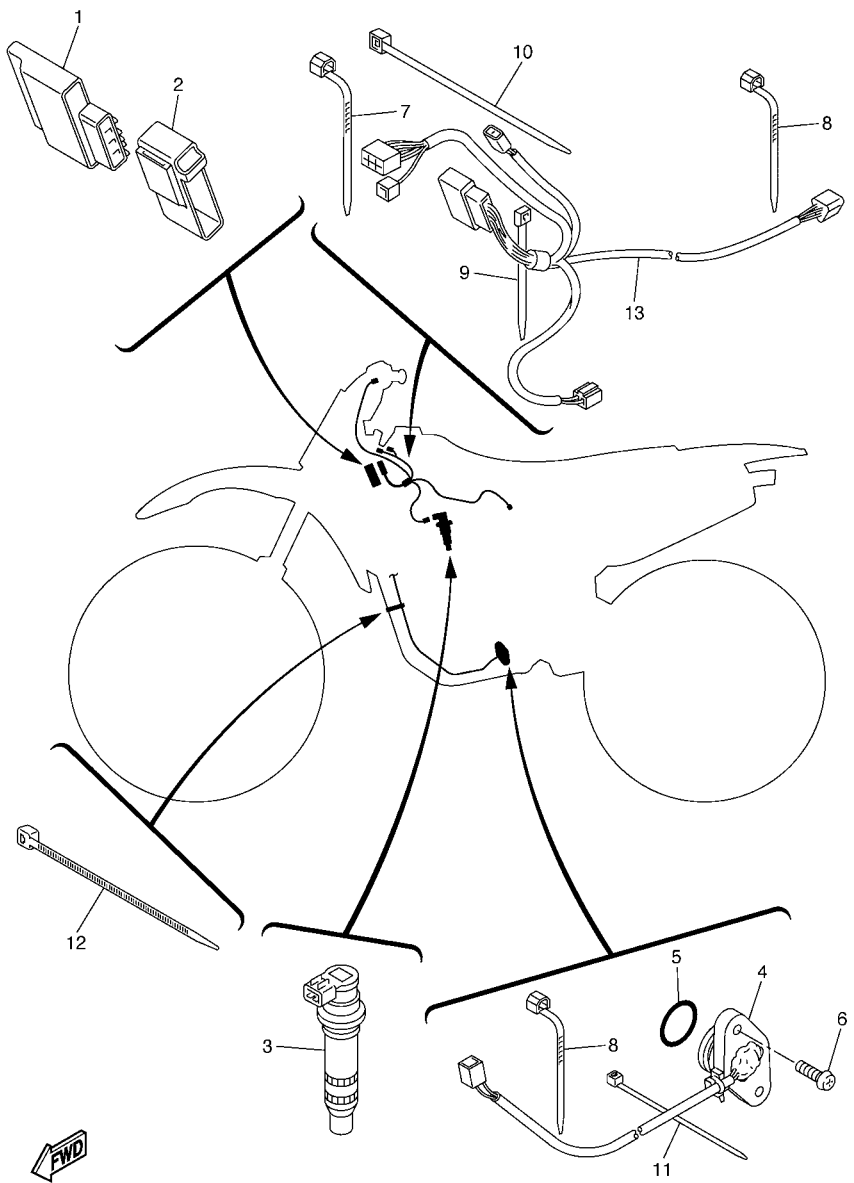




  
5TA1100-B370

**FIG. 37 HANDLE SWITCH & LEVER**

| REF. NO. | PART NO.     | DESCRIPTION           | 5XD1 | 5XD2 | 5XD3 | 5XD4 | REMARKS |
|----------|--------------|-----------------------|------|------|------|------|---------|
| 1        | 5XE-82911-00 | HOLDER, LEVER 1       | 1    | 1    | 1    | 1    |         |
| 2        | 5MV-83912-00 | LEVER 1               | 1    | 1    | 1    | 1    |         |
| 3        | 90109-06034  | BOLT                  | 1    | 1    | 1    | 1    |         |
| 4        | 5LP-84126-10 | NUT, LENS FITTING     | 1    | 1    | 1    | 1    |         |
| 5        | 5TA-26337-00 | BOLT, ADJUSTING       | 1    | 1    | 1    | 1    |         |
| 6        | 5HD-83951-00 | BOLT, CABLE ADJUSTING | 1    | 1    | 1    | 1    |         |
| 7        | 5HD-26372-00 | COVER, HANDLE LEVER 1 | 1    | 1    | 1    | 1    |         |
| 8        | 5XD-82946-00 | HOLDER, STARTER LEVER | 1    | 1    | 1    | 1    |         |
| 9        | 5XD-82913-00 | HOLDER, LEVER LOWER 1 | 1    | 1    | 1    | 1    |         |
| 10       | 5TA-83941-00 | LEVER, STARTER        | 1    | 1    | 1    | 1    |         |
| 11       | 5TA-26334-00 | CABLE, STARTER 2      | 1    | 1    | 1    | 1    |         |
| 12       | 90101-05033  | BOLT                  | 2    | 2    | 2    | 2    |         |
| 13       | 92014-05012  | BOLT, BUTTON HEAD     | 2    | 2    | 2    | 2    |         |
| 14       | 95607-05100  | NUT, U                | 1    | 1    | 1    | 1    |         |
| 15       | 90149-05162  | SCREW                 | 1    | 1    | 1    | 1    |         |
| 16       | 5TA-26339-00 | BOOT                  | 1    | 1    | 1    | 1    |         |
| 17       | 5SF-83976-00 | SWITCH, HANDLE 1      | 1    | 1    | 1    | 1    |         |
|          |              |                       |      |      |      |      |         |
|          |              |                       |      |      |      |      |         |
|          |              |                       |      |      |      |      |         |

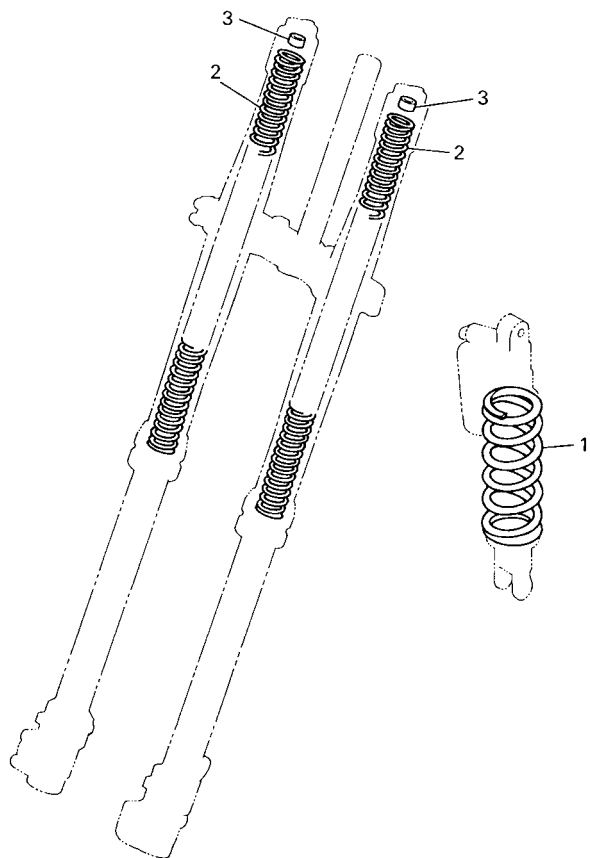


**FWD**  
5XD1100-C380

**FIG. 38 ELECTRICAL 1**

| REF. NO. | PART NO.     | DESCRIPTION         | 5XD1 | 5XD2 | 5XD3 | 5XD4 | REMARKS |
|----------|--------------|---------------------|------|------|------|------|---------|
|          |              |                     |      |      |      |      |         |
| 1        | 5XD-85540-10 | C.D.I. UNIT ASSY    |      |      |      | 1    |         |
| 2        | 5XD-85546-00 | BAND                | 1    | 1    | 1    | 1    |         |
| 3        | 5TA-82310-10 | IGNITION COIL ASSY  | 1    | 1    | 1    | 1    |         |
| 4        | 5TA-82540-00 | NEUTRAL SWITCH ASSY | 1    | 1    | 1    | 1    |         |
| 5        | 93210-21276  | O-RING              | 1    | 1    | 1    | 1    |         |
| 6        | 90154-05026  | SCREW, BINDING      | 2    | 2    | 2    | 2    |         |
| 7        | 90464-13077  | CLAMP               | 2    | 2    | 2    | 2    |         |
| 8        | 90464-13073  | CLAMP               | 3    | 3    | 3    | 3    |         |
| 9        | 90465-13152  | CLAMP               | 1    | 1    | 1    | 1    |         |
| 10       | 90465-13275  | CLAMP               | 4    | 4    | 4    | 4    |         |
| 11       | 5Y9-12491-00 | CLAMP 1             | 3    | 3    | 3    | 3    |         |
| 12       | 3MA-82591-00 | BAND                | 1    | 1    | 1    | 1    |         |
| 13       | 5XD-82509-00 | WIRE, SUB LEAD      | 1    | 1    | 1    | 1    |         |
|          |              |                     |      |      |      |      |         |
|          |              |                     |      |      |      |      |         |
|          |              |                     |      |      |      |      |         |
|          |              |                     |      |      |      |      |         |

FIG. 39 ALTERNATE FOR CHASSIS

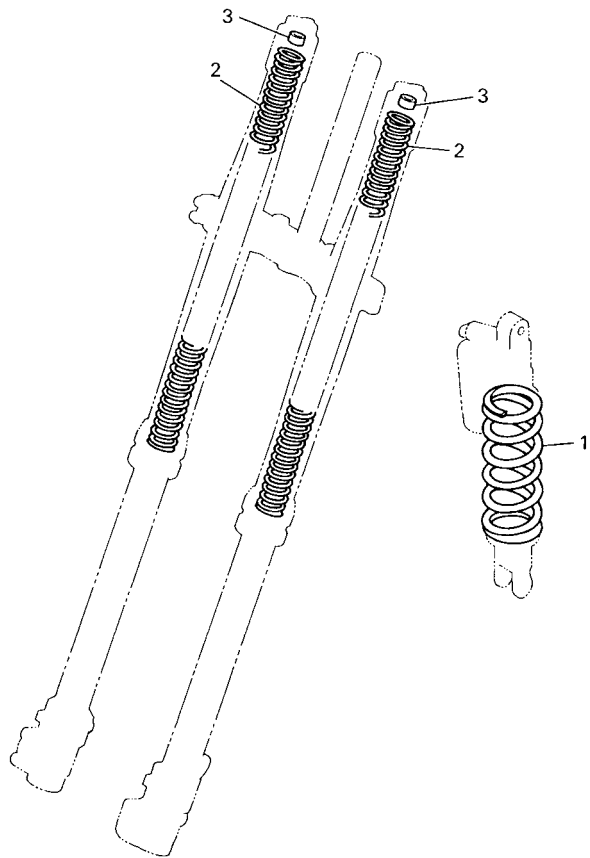


| REF. NO.     | PART NO.                  | DESCRIPTION               | 5XD1 | 5XD2 | 5XD3 | 5XD4 | REMARKS |
|--------------|---------------------------|---------------------------|------|------|------|------|---------|
| 1            | 5UN-22212-00              | SPRING (K=42N/MM)         | 1    | 1    | 1    | 1    | AP      |
|              | 5UN-22212-10              | SPRING (K=44N/MM)         | 1    | 1    | 1    | 1    | AP      |
|              | 5UN-22212-20              | SPRING (K=46N/MM)         | 1    | 1    | 1    | 1    | AP      |
|              | 5UN-22212-30              | SPRING (K=48N/MM)         | 1    | 1    | 1    | 1    | AP      |
|              | 5UN-22212-40              | SPRING (K=50N/MM)         | 1    | 1    | 1    | 1    | AP      |
|              | 5UN-22212-50              | SPRING (K=52N/MM)         | 1    | 1    | 1    | 1    | AP      |
|              | 5UN-22212-60              | SPRING (K=54N/MM)         | 1    | 1    | 1    | 1    | AP      |
|              | 5UN-22212-70              | SPRING (K=56N/MM)         | 1    | 1    | 1    | 1    | AP      |
|              | 5UN-22212-A0              | SPRING (K=APPROX.44N/MM)  | 1    | 1    | 1    | 1    | AP      |
|              | 5UN-22212-B0              | SPRING (K=APPROX.46N/MM)  | 1    | 1    | 1    | 1    | AP      |
|              | 5UN-22212-C0              | SPRING (K=APPROX.48N/MM)  | 1    | 1    | 1    | 1    | AP      |
|              | 5UN-22212-D0              | SPRING (K=APPROX.50N/MM)  | 1    | 1    | 1    | 1    | AP      |
|              | 5UN-22212-E0              | SPRING (K=APPROX.52N/MM)  | 1    | 1    | 1    | 1    | AP      |
|              | 5UN-22212-F0              | SPRING (K=APPROX.54N/MM)  | 1    | 1    | 1    | 1    | AP      |
| 5UN-22212-G0 | SPRING (K=APPROX.56N/MM)  | 1                         | 1    | 1    | 1    | AP   |         |
| 2            | 5XE-23141-00              | SPRING (K=3.9N/MM)        | 2    | 2    | 2    | 2    | AP      |
|              | 5XE-23141-10              | SPRING (K=4.0N/MM)        | 2    | 2    | 2    | 2    | AP      |
|              | 5XE-23141-20              | SPRING (K=4.1N/MM)        | 2    | 2    | 2    | 2    | AP      |
|              | 5XE-23141-30              | SPRING (K=4.2N/MM)        | 2    | 2    | 2    | 2    | AP      |
|              | 5XE-23141-40              | SPRING (K=4.3N/MM)        | 2    | 2    | 2    | 2    | AP      |
|              | 5XE-23141-50              | SPRING (K=4.4N/MM)        | 2    | 2    | 2    | 2    | AP      |
|              | 5XE-23141-60              | SPRING (K=4.5N/MM)        | 2    | 2    | 2    | 2    | AP      |
|              | 5XE-23141-70              | SPRING (K=4.6N/MM)        | 2    | 2    | 2    | 2    | AP      |
|              | 5XE-23141-80              | SPRING (K=4.7N/MM)        | 2    | 2    | 2    | 2    | AP      |
|              | 5XE-23141-A0              | SPRING (K=APPROX.3.9N/MM) | 2    | 2    | 2    | 2    | AP      |
| 5XE-23141-B0 | SPRING (K=APPROX.4.1N/MM) | 2                         | 2    | 2    | 2    | AP   |         |
| 5XE-23141-C0 | SPRING (K=APPROX.4.3N/MM) | 2                         | 2    | 2    | 2    | AP   |         |



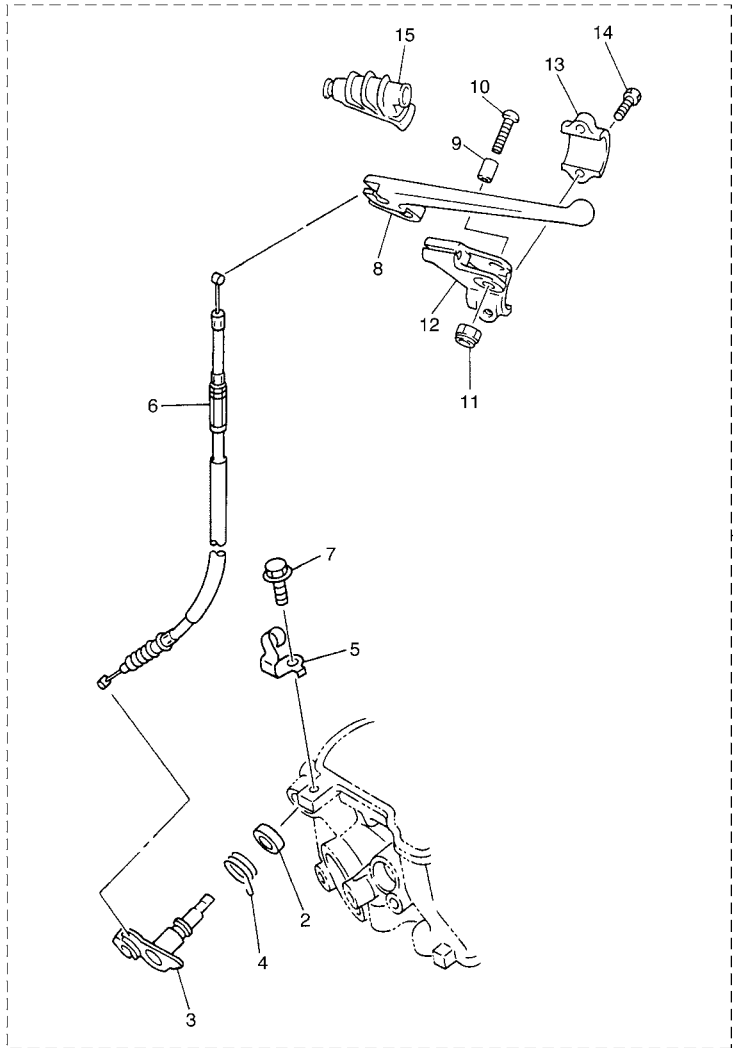
5BE100-8390

FIG. 39 ALTERNATE FOR CHASSIS



| REF. NO. | PART NO.     | DESCRIPTION               | 5XD1 | 5XD2 | 5XD3 | 5XD4 | REMARKS |
|----------|--------------|---------------------------|------|------|------|------|---------|
| 2        | 5XE-23141-D0 | SPRING (K=APPROX.4.5N/MM) | 2    | 2    | 2    | 2    | AP      |
|          | 5XE-23141-E0 | SPRING (K=APPROX.4.7N/MM) | 2    | 2    | 2    | 2    | AP      |
| 3        | 5XE-23364-00 | COLLAR 2                  | 1    | 1    | 1    | 1    | UN      |
|          |              |                           |      |      |      |      |         |
|          |              |                           |      |      |      |      |         |
|          |              |                           |      |      |      |      |         |
|          |              |                           |      |      |      |      |         |
|          |              |                           |      |      |      |      |         |
|          |              |                           |      |      |      |      |         |
|          |              |                           |      |      |      |      |         |

 5BE100-8390



5TA1100-B400

FIG. 40 ALTERNATE DECOMPRESSION KIT

| REF. NO. | PART NO.     | DESCRIPTION                 | 5XD1 | 5XD2 | 5XD3 | 5XD4 | REMARKS |
|----------|--------------|-----------------------------|------|------|------|------|---------|
| 1        | 5TA-W1228-00 | DECOMPRESSION KIT           | 1    | 1    | 1    | 1    | AP      |
| 2        | 93102-12224  | .OIL SEAL                   | 1    | 1    | 1    | 1    |         |
| 3        | 5BE-12280-10 | .DECOMPRESSION ASSY         | 1    | 1    | 1    | 1    |         |
| 4        | 90508-162B2  | .SPRING, TORSION            | 1    | 1    | 1    | 1    |         |
| 5        | 5NL-12283-00 | .BRACKET, DECOMPRESSION     | 1    | 1    | 1    | 1    |         |
| 6        | 5BE-12292-10 | .CABLE, DECOMPRESSION       | 1    | 1    | 1    | 1    |         |
| 7        | 95827-06014  | .BOLT, FLANGE               | 1    | 1    | 1    | 1    |         |
| 8        | 583-83981-00 | .LEVER, DECOMPRESSION       | 1    | 1    | 1    | 1    |         |
| 9        | 5BE-83913-00 | .COLLAR, LEVER 1            | 1    | 1    | 1    | 1    |         |
| 10       | 98507-05020  | .SCREW, PAN HEAD            | 1    | 1    | 1    | 1    |         |
| 11       | 95607-05100  | .NUT, U                     | 1    | 1    | 1    | 1    |         |
| 12       | 5BE-82912-00 | .HOLDER, LEVER UPPER 1      | 1    | 1    | 1    | 1    |         |
| 13       | 38V-82913-00 | .HOLDER, LEVER LOWER 1      | 1    | 1    | 1    | 1    |         |
| 14       | 97007-05016  | .BOLT                       | 2    | 2    | 2    | 2    |         |
| 15       | 583-26352-00 | .COVER, DECOMPRESSION CABLE | 1    | 1    | 1    | 1    |         |

NUMERICAL INDEX

| PART NO.     | GRID NO. | PART NO.     | GRID NO. | PART NO.     | GRID NO. | PART NO.     | GRID NO. | PART NO.     | GRID NO. | PART NO.     | GRID NO. |
|--------------|----------|--------------|----------|--------------|----------|--------------|----------|--------------|----------|--------------|----------|
| 5TA-11102-10 | B - 2    | 3LD-12168-R1 | B - 5    | 5TA-13412-00 | B - 10   | 5JG-14531-00 | C - 3    | 5JG-14940-18 | C - 2    | 4JT-15381-01 | C - 5    |
| 4KG-1111G-00 | B - 2    | 3LD-12168-U1 | B - 5    | 5TA-13440-00 | B - 11   | 3TJ-14536-40 | C - 2    | 5JG-14940-19 | C - 2    | 5BE-15383-01 | C - 5    |
| 5TA-11133-10 | B - 2    | 3LD-12168-W1 | B - 5    | 5BE-13447-10 | B - 11   | 5JG-14546-01 | B - 13   | 5TA-14943-27 | B - 15   | 5TA-15411-00 | C - 6    |
| 5TA-11134-10 | B - 2    | 3LD-12168-Y1 | B - 5    | 5TA-13464-00 | B - 10   | 676-14548-00 | B - 15   | 4MX-14943-38 | B - 14   | 5TA-15415-01 | C - 6    |
| 5TA-11166-00 | B - 2    | 3LD-12169-11 | B - 5    | 5TA-13465-00 | B - 10   | 4MX-14561-00 | C - 3    | 4MX-14943-39 | B - 14   | 5TA-15421-00 | C - 5    |
| 5BE-11167-00 | B - 2    | 3LD-12169-31 | B - 6    | 5XD-13597-00 | B - 12   | 6H4-14561-00 | C - 2    | 4MX-14943-40 | B - 14   | 5XD-15431-00 | C - 6    |
| 371-11167-01 | B - 2    | 3LD-12169-50 | B - 6    | 5TA-14101-00 | B - 13   | 5NX-14562-00 | C - 2    | 4MX-14943-41 | B - 14   | 5XD-15441-00 | C - 5    |
| 5TA-11181-00 | B - 2    | 3LD-12169-70 | B - 6    | 5XD-14101-10 | B - 13   | 5JG-14565-00 | C - 3    | 4MX-14943-42 | B - 14   | 5TA-15451-00 | C - 6    |
| 5TA-11191-00 | B - 2    | 3LD-12169-90 | B - 6    | 3TJ-14105-40 | B - 15   | 5JG-14591-00 | C - 3    | 4MX-14943-43 | B - 15   | 5TA-15453-00 | C - 6    |
| 5TA-11193-00 | B - 3    | 3LD-12169-E0 | B - 6    | 4MX-14115-00 | C - 3    | 688-14592-00 | B - 13   | 4MX-14943-44 | B - 15   | 5TA-15462-00 | C - 6    |
| 5TA-11311-01 | B - 3    | 3LD-12169-G0 | B - 6    | 3TJ-14137-40 | B - 12   | 5TA-14611-00 | C - 4    | 4MX-14943-88 | B - 14   | 5XD-15601-00 | C - 8    |
| 5TA-11351-00 | B - 3    | 3LD-12169-J0 | B - 6    |              | C - 3    | 3VD-14613-01 | C - 4    | 4MX-14943-89 | B - 14   | 5XD-15620-00 | C - 8    |
| 5JG-11387-00 | B - 3    | 3LD-12169-L0 | B - 6    | 5BE-14146-00 | C - 3    | 5TA-14628-00 | C - 4    | 4MX-14943-90 | B - 14   | 5XD-15621-00 | C - 8    |
| 5XD-11400-00 | B - 4    | 3LD-12169-N0 | B - 6    | 5PA-14146-00 | C - 3    | 5TA-1469A-00 | C - 4    | 4MX-14943-91 | B - 14   | 5TA-15651-00 | C - 8    |
| 5TA-11412-00 | B - 4    | 3LD-12169-T0 | B - 6    | 5TA-14155-00 | C - 2    | 5TA-1469E-00 | C - 4    | 4MX-14943-92 | B - 14   | 5GR-15664-00 | C - 8    |
| 5TA-11422-00 | B - 4    | 5TA-12170-00 | B - 7    | 633-14159-00 | C - 2    | 5XD-14714-00 | C - 4    | 4MX-14943-93 | B - 15   | 5SG-15668-00 | C - 8    |
| 5BE-11454-00 | B - 4    | 5TA-12180-00 | B - 7    | 3TJ-14159-40 | B - 14   | 5BE-14747-00 | C - 4    | 4MX-14943-94 | B - 15   | 4GY-15671-00 | C - 8    |
| 5TA-11455-11 | B - 4    | 5TA-12210-00 | B - 7    | 5TA-14171-00 | C - 2    | 4BD-14766-00 | C - 4    | 5JG-14947-00 | B - 14   | 214-15686-00 | C - 8    |
| 5TA-11531-01 | B - 4    | 4FM-12213-00 | B - 7    | 3TJ-14191-40 | C - 2    | 5BE-14788-00 | C - 4    | 4MX-14948-01 | B - 15   | 5TA-16111-00 | C - 9    |
| 5TA-11536-00 | B - 4    | 5BE-12241-00 | B - 7    | 5TA-14196-00 | C - 3    | 5TA-14916-J1 | B - 13   | 4MX-14948-02 | B - 15   | 5XD-16150-10 | C - 9    |
| 5JG-11603-00 | B - 4    | 5TA-12251-01 | B - 7    | 5TA-14197-00 | C - 3    | 5TA-14916-JN | B - 13   | 4MX-14948-03 | B - 15   | 5XD-16154-00 | C - 9    |
| 5TJ-11631-00 | B - 4    | 5TA-12252-00 | B - 7    | 5NX-14216-00 | C - 3    | 5TA-14916-JP | B - 13   | 4MX-14948-04 | B - 15   | 5TA-16321-00 | C - 9    |
| 5TA-11633-00 | B - 4    | 5BE-12280-10 | E - 14   | 5TA-14227-00 | B - 12   | 5TA-14916-JR | B - 13   | 4MX-14948-05 | B - 15   | 5JG-16325-00 | C - 9    |
| 5XD-11651-00 | B - 4    | 5NL-12283-00 | E - 14   | 5TA-14239-00 | B - 12   | 5TA-14916-JS | B - 13   | 4MX-14948-06 | B - 15   | 5JG-16351-00 | C - 9    |
| 5TA-11681-00 | B - 4    | 5BE-12292-10 | E - 14   | 5TA-14261-00 | C - 3    | 5JG-14916-M1 | B - 14   | 4MX-14948-07 | B - 15   | 5JG-16356-00 | C - 9    |
| 5TA-12111-00 | B - 5    | 5TA-1240A-00 | B - 9    | 5JG-14264-00 | B - 14   | 5JG-14916-MN | B - 14   | 4MX-14948-08 | B - 15   | 5TA-16357-00 | C - 9    |
| 5TA-12112-00 | B - 5    | 5BE-12422-20 | B - 8    | 3TJ-14267-40 | B - 13   | 5JG-14916-MP | B - 14   | 3TJ-1494F-12 | B - 15   | 5TA-16371-02 | C - 9    |
| 5TA-12113-00 | B - 5    | 5BE-12439-00 | B - 8    | 5JG-14275-00 | B - 14   | 5JG-14916-MR | B - 13   | 3TJ-1494F-13 | B - 15   | 5XD-16381-00 | C - 9    |
| 5TA-12114-00 | B - 5    | 5DJ-12451-00 | B - 8    | 5TA-14293-00 | B - 12   | 5JG-14916-MS | B - 14   | 3TJ-1494F-14 | B - 15   | 5TA-16384-01 | C - 9    |
| 4GY-12117-00 | B - 5    | 5GR-12458-00 | B - 8    | 3TJ-14293-40 | C - 2    | 5JG-14916-MT | B - 14   | 3TJ-1494F-15 | B - 15   | 5TA-17121-10 | C - 10   |
| 5BE-12117-00 | B - 5    | 5TA-12461-00 | B - 9    | 5TA-14335-00 | C - 2    | 5JG-14916-MU | B - 14   | 3TJ-1494F-16 | B - 15   | 5TA-17131-10 | C - 10   |
| 1AA-12118-00 | B - 5    | 5HD-12462-00 | B - 9    | 5JG-14346-00 | C - 3    | 5TA-14916-V1 | B - 13   | 3TJ-1494F-17 | B - 15   | 5TA-17141-10 | C - 10   |
| 1WG-12118-00 | B - 5    | 5TA-12481-00 | B - 9    | 5TA-14371-00 | C - 2    | 5TA-14916-VM | B - 13   | 3TJ-1494F-18 | B - 15   | 5TA-17211-10 | C - 10   |
| 33M-12119-00 | B - 5    | 5TA-12482-00 | B - 9    | 5TA-14374-00 | C - 2    | 5TA-14916-VN | B - 13   | 3TJ-1494F-19 | B - 15   | 5TA-17221-10 | C - 10   |
| 4SV-12119-00 | B - 5    | 5Y9-12491-00 | E - 11   | 5JG-14379-00 | C - 2    | 5TA-14916-VP | B - 13   | 3TJ-1494F-20 | B - 15   | 5TA-17231-00 | C - 10   |
| 5TA-12121-00 | B - 5    | 5BE-12564-00 | B - 8    | 5JG-14388-00 | B - 13   | 5TA-14916-VR | B - 13   | 5JG-14951-00 | B - 13   | 5TA-17241-10 | C - 10   |
| 3GM-12126-00 | B - 5    | 5TA-12576-00 | B - 9    | 4MX-14392-00 | C - 2    | 5TA-14916-VS | B - 13   | 5JG-14959-00 | B - 13   | 5TA-17402-00 | C - 10   |
| 3FV-12153-10 | B - 6    | 5TA-12578-00 | B - 9    | 5TA-14401-01 | B - 12   | 5TA-14916-VT | B - 13   | 5JG-14984-00 | C - 2    | 5TA-17411-10 | C - 10   |
| 3LD-12168-00 | B - 5    | 5SG-12579-00 | B - 9    | 5XD-14417-00 | B - 12   | 5TA-14916-Y1 | B - 14   | 4SR-14985-00 | B - 15   | 5TA-17466-00 | C - 5    |
| 3LD-12168-20 | B - 5    | 5TA-12579-00 | B - 9    | 5TA-14428-00 | B - 12   | 5TA-14916-YN | B - 13   | 5TA-14987-00 | B - 12   | 4L0-17471-00 | C - 5    |
| 3LD-12168-40 | B - 5    | 583-13113-00 | C - 6    | 5NY-14442-00 | B - 12   | 5TA-14916-YP | B - 14   | 5TJ-14987-00 | C - 3    | 5GR-17471-00 | C - 10   |
| 3LD-12168-60 | B - 5    | 5TG-13161-00 | B - 11   | 4XM-14451-00 | B - 12   | 5TA-14916-YR | B - 14   | 5TA-14991-00 | C - 2    | 5TA-18101-00 | C - 13   |
| 3LD-12168-80 | B - 5    | 5TA-13171-00 | B - 11   | 5TA-14453-00 | B - 12   | 5TA-14916-YS | B - 14   | 4FN-14997-00 | B - 13   | 5TA-18110-00 | C - 13   |
| 3LD-12168-A0 | B - 5    | 5TA-13300-00 | B - 10   | 5NY-14455-10 | B - 12   | 5JG-14922-00 | C - 2    | 5TA-14997-00 | C - 2    | 5LP-18122-00 | C - 13   |
| 3LD-12168-F0 | B - 5    | 5TA-13320-00 | B - 10   | 5BE-14458-00 | B - 12   | 3TJ-14933-40 | C - 2    | 5TA-15150-11 | C - 5    | 3XK-18140-00 | C - 12   |
| 3LD-12168-H1 | B - 5    | 5TA-13341-00 | B - 10   | 5NY-14459-00 | B - 12   | 5TA-14934-00 | C - 2    | 5TA-15362-01 | C - 15   | 5BE-18172-00 | C - 13   |
| 3LD-12168-K1 | B - 5    | 5BE-13342-00 | B - 10   | 5JG-14521-00 | B - 14   | 5JG-14940-16 | C - 2    | 3Y1-15363-00 | C - 6    | 3XJ-18173-00 | C - 13   |
| 3LD-12168-M1 | B - 5    | 5BE-13411-00 | B - 10   | 5JG-14522-00 | B - 13   | 5JG-14940-17 | C - 2    | 5XD-15378-00 | C - 6    | 3XJ-18178-00 | C - 13   |

NUMERICAL INDEX

| PART NO.     | GRID NO. | PART NO.     | GRID NO. | PART NO.     | GRID NO. | PART NO.     | GRID NO. | PART NO.     | GRID NO. | PART NO.     | GRID NO. |
|--------------|----------|--------------|----------|--------------|----------|--------------|----------|--------------|----------|--------------|----------|
| 3XJ-18182-00 | C - 13   | 4EW-22178-00 | C - 14   | 3JE-22475-00 | D - 6    | 509-23184-L0 | D - 6    | 5NY-25389-00 | E - 3    | 1UY-25937-51 | E - 4    |
| 3XJ-18184-00 | C - 13   | 3JD-22178-10 | C - 14   | 5NY-22475-00 | D - 7    | 5TJ-2319U-00 | D - 8    | 3JE-25394-00 | E - 2    | 4XM-26111-00 | E - 5    |
| 4EW-18185-00 | C - 13   | 5NY-2217A-00 | D - 4    | 5UN-22898-60 | E - 4    | 5XF-23340-L0 | D - 10   | 5SF-25394-00 | D - 14   | 5BE-26240-00 | E - 5    |
| 5TA-18501-00 | C - 12   | 5XE-2217F-00 | D - 5    | 5XD-23102-00 | D - 9    | 4SS-23346-L0 | D - 10   | 5TA-25446-00 | E - 2    | 4GY-26241-00 | E - 5    |
| 5TA-18502-00 | C - 12   | 5MV-22184-00 | D - 6    | 5XD-23102-10 | D - 9    | 5NY-23346-L0 | D - 10   | 5ET-25447-00 | E - 2    | 4GY-26242-00 | E - 5    |
| 5TA-18541-00 | C - 12   | 5UN-22199-00 | D - 4    | 5XD-23103-00 | D - 9    | 3SP-23356-L0 | D - 10   | 5NY-25448-00 | E - 2    | 3Y1-26249-00 | E - 5    |
| 278-18542-00 | C - 12   | 5XD-22201-00 | D - 6    | 5XD-23103-10 | D - 9    | 5TA-23357-00 | D - 8    | 5NY-25449-00 | E - 2    | 5BE-26281-00 | E - 5    |
| 5DH-18562-00 | C - 5    | 5XD-22201-10 | D - 6    | 5XE-23110-L0 | D - 9    | 5XE-23364-00 | E - 13   | 5NY-25450-00 | E - 3    | 5BE-26282-00 | E - 5    |
| 5XD-21101-00 | C - 14   | 5XD-22201-20 | D - 6    | 5XE-23111-L0 | D - 9    | 5XE-23389-00 | D - 8    | 5NY-25451-00 | E - 3    | 5SF-26287-00 | E - 5    |
| 5XD-21190-00 | C - 14   | 5XD-22201-30 | D - 6    | 5XE-23113-00 | D - 10   | 5XE-23393-L0 | D - 9    | 5NY-25452-00 | E - 3    | 5XD-26302-00 | E - 5    |
| 5XD-21274-00 | C - 15   | 5XD-22201-40 | D - 6    | 5XE-23117-L0 | D - 9    | 5HD-2339E-00 | D - 8    | 5CG-25715-00 | E - 6    | 5TA-26334-00 | E - 10   |
| 5HD-2135F-00 | D - 5    | 5XD-22210-00 | D - 6    | 5XE-23120-L0 | D - 9    | 4EW-23416-00 | D - 8    |              | E - 8    | 5UL-26335-00 | E - 5    |
| 5XE-2135F-00 | D - 5    | 5XD-22210-10 | D - 6    | 5XE-23125-L0 | D - 9    | 5XE-23435-00 | D - 8    | 5DH-25718-01 | E - 4    | 5TA-26337-00 | E - 10   |
| 5TA-21417-00 | C - 15   | 5XD-22210-20 | D - 6    | 3JD-2312G-L0 | D - 9    | 5XE-23441-00 | D - 8    | 5UN-2580T-00 | D - 15   | 5TA-26339-00 | E - 10   |
| 5XD-21425-00 | C - 14   | 5XD-22210-30 | D - 6    | 5XD-23136-L0 | D - 9    | 5HD-23485-00 | D - 8    | 5UN-2580W-10 | E - 4    | 5HD-26342-00 | E - 5    |
| 5XD-21425-10 | C - 14   | 5XD-22210-40 | D - 6    | 5XE-23141-00 | E - 12   | 5XD-24110-00 | D - 11   | 5MV-2581T-00 | D - 15   | 583-26352-00 | E - 14   |
| 5TA-21471-00 | C - 15   | 5UN-22212-00 | E - 12   | 5XE-23141-10 | E - 12   | 4EW-2412F-00 | D - 11   | 5HD-26372-00 | E - 4    | 5HD-26372-00 | E - 10   |
| 5TA-2147A-00 | C - 15   | 5UN-22212-10 | E - 12   | 5XE-23141-20 | E - 12   | 5XE-24144-00 | D - 11   | 5UN-25828-60 | E - 4    | 5NY-26372-00 | E - 6    |
| 5TA-2147E-00 | C - 15   | 5UN-22212-20 | E - 12   | 5XE-23141-30 | E - 12   | 5SF-24173-00 | D - 11   | 5NY-2582W-00 | E - 4    | 5TA-27200-00 | E - 7    |
| 5HD-21511-00 | D - 2    | 5UN-22212-30 | E - 12   | 5XE-23141-40 | E - 12   | 5XE-24176-00 | D - 11   | 5MV-25833-00 | E - 6    | 5JG-27217-00 | E - 7    |
| 5UN-2153A-00 | D - 5    | 5UN-22212-40 | E - 12   | 5XE-23141-50 | E - 12   | 22W-24181-00 | C - 4    | 5UN-2583V-00 | E - 8    | 5UN-27217-00 | E - 8    |
| 4XL-2153A-10 | D - 10   | 5UN-22212-50 | D - 7    | 5XE-23141-60 | E - 12   | 4SS-24181-00 | D - 11   | 5DH-25849-00 | D - 15   | 5UN-27218-00 | E - 8    |
| 4ES-2153E-01 | D - 2    |              | E - 12   | 5XE-23141-70 | E - 12   | 5BE-24182-00 | D - 11   | 5MV-25852-01 | E - 6    | 5UN-27222-00 | E - 8    |
| 5XD-21610-00 | D - 2    | 5UN-22212-60 | E - 12   | 5XE-23141-80 | E - 12   | 5NY-24183-00 | D - 11   | 5UN-25852-50 | E - 8    | 5ET-27311-00 | E - 7    |
| 5XD-21635-00 | D - 2    | 5UN-22212-70 | E - 12   | 5XE-23141-A0 | E - 12   | 5NY-24186-00 | D - 11   | 5XE-25853-00 | E - 6    | 5XE-27411-00 | E - 7    |
| 5XD-2163G-00 | D - 2    | 5UN-22212-A0 | E - 12   | 5XE-23141-B0 | E - 12   | 5XD-24240-00 | D - 12   | 5UN-25854-00 | E - 8    | 5XE-27421-00 | E - 7    |
| 5TA-21642-00 | D - 2    | 5UN-22212-B0 | E - 12   | 5XE-23141-C0 | E - 12   | 3XJ-24380-00 | D - 11   | 5XE-25854-00 | E - 6    | 5TA-27491-00 | E - 4    |
| 5TA-21711-00 | D - 3    | 5UN-22212-C0 | E - 12   | 5XE-23141-D0 | E - 13   | 4DP-24500-00 | D - 11   | 5UN-2585B-00 | E - 8    | 5TA-2814F-00 | C - 15   |
| 5TA-21721-00 | D - 3    | 5UN-22212-D0 | E - 12   | 5XE-23141-E0 | E - 13   | 4X8-24512-00 | D - 11   | 5MV-25867-00 | E - 6    | 5ET-28166-00 | C - 15   |
| 5TA-2172A-00 | D - 3    | 5UN-22212-E0 | D - 7    | 5XD-23141-L0 | D - 9    | 3AJ-24523-00 | D - 11   | 5NY-25868-00 | E - 6    | 5TA-82310-10 | E - 11   |
| 5TA-21730-00 | D - 3    |              | E - 12   | 5XD-23141-M0 | D - 9    | 3AJ-24534-00 | D - 11   | 5ET-25872-00 | E - 6    | 5XD-82509-00 | E - 11   |
| 5XD-2173E-00 | D - 3    | 5UN-22212-F0 | E - 12   | 5XE-23142-L0 | D - 9    | 5NY-24610-00 | D - 11   | 5UN-25873-00 | E - 8    | 5TA-82540-00 | E - 11   |
| 5XD-2173F-00 | D - 3    | 5UN-22212-G0 | E - 12   | 5XE-23144-L0 | D - 9    | 5XD-2470F-00 | D - 13   | 5DH-25875-00 | D - 15   | 3MA-82591-00 | E - 11   |
| 5TA-21740-00 | D - 3    | 3SP-22213-00 | D - 6    | 5XE-23145-L0 | D - 9    | 5XD-24710-00 | D - 13   | 2VM-25876-00 | E - 8    | 5XE-82911-00 | E - 10   |
| 3JD-21748-00 | D - 2    | 5XE-22214-00 | D - 7    | 5XE-23146-L0 | D - 9    | 5NY-25104-00 | D - 14   | 5MV-2589F-00 | E - 6    | 5BE-82912-00 | E - 14   |
| 5TA-2174A-00 | D - 3    | 5MV-22224-00 | D - 6    | 5DH-2314E-00 | D - 15   | 5NY-25111-00 | D - 14   | 5UN-25914-00 | E - 4    | 38V-82913-00 | E - 14   |
| 5TA-2174T-00 | D - 2    | 4JX-22226-00 | D - 6    | 5XE-2314F-L0 | D - 10   | 5NY-25117-00 | D - 14   | 5DH-25914-50 | E - 4    | 5XD-82913-00 | E - 10   |
| 5TA-21756-00 | C - 14   | 3SP-22234-00 | D - 6    | 5XE-2314G-L0 | D - 10   | 5BE-25181-00 | D - 14   | 3SP-25914-51 | D - 15   | 5XD-82946-00 | E - 10   |
| 5MV-2175C-00 | D - 3    | 5NY-22241-00 | D - 7    | 5TA-2314H-00 | D - 10   | 5NY-25183-00 | D - 14   | 5DH-25916-00 | D - 15   | 5MV-83912-00 | E - 10   |
| 5XD-21781-00 | D - 3    | 5XE-22242-00 | D - 7    | 5TA-2314J-00 | D - 10   | 5NY-25186-00 | D - 14   |              | E - 4    | 5BE-83913-00 | E - 14   |
| 5UN-22110-00 | D - 4    | 5DH-22253-00 | D - 6    | 5XE-23153-L0 | D - 9    | 5HD-25304-00 | E - 2    | 3JD-25917-00 | D - 15   | 5MV-83922-00 | E - 6    |
| 5NY-22121-00 | D - 4    | 5MV-22253-00 | D - 6    | 4SS-23158-L0 | D - 9    | 5ET-25311-00 | E - 2    |              | E - 4    | 5TA-83941-00 | E - 10   |
| 5XE-22122-00 | D - 5    | 4AA-22259-40 | D - 6    | 5XD-2316A-L0 | D - 9    | 5ET-25317-00 | E - 2    | 5DH-25919-00 | D - 15   | 5HD-83951-00 | E - 10   |
| 5UN-22128-00 | D - 4    | 4AA-22259-50 | D - 6    | 5XD-2316A-M0 | D - 9    | 4XM-25364-00 | E - 2    | 5DH-25919-50 | E - 4    | 5SF-83976-00 | E - 10   |
| 5NY-22141-01 | D - 4    | 4AA-22259-60 | D - 6    | 5XD-23170-L0 | D - 9    | 5ET-25367-00 | E - 3    | 8CR-25924-00 | E - 4    | 583-83981-00 | E - 14   |
| 5UN-22151-00 | D - 4    | 4AA-22259-80 | D - 6    | 5XD-23170-M0 | D - 9    | 5ET-25381-00 | E - 3    | 3SP-25926-51 | D - 15   | 5LP-84126-10 | E - 10   |
| 5JG-22156-00 | D - 4    | 5UN-22355-00 | D - 4    | 5XE-23171-L0 | D - 9    | 5UN-25383-00 | E - 3    | 5DH-25933-00 | D - 15   | 5XD-85540-00 | E - 11   |
| 5UN-22176-00 | D - 6    | 4EW-22474-00 | D - 6    | 5DH-23183-00 | D - 6    | 5NY-25388-00 | E - 3    | 1UY-25937-51 | D - 15   | 5XD-85540-10 | E - 11   |

NUMERICAL INDEX

| PART NO.     | GRID NO. | PART NO.    | GRID NO. | PART NO.    | GRID NO. | PART NO.    | GRID NO. | PART NO.    | GRID NO. | PART NO.    | GRID NO. |
|--------------|----------|-------------|----------|-------------|----------|-------------|----------|-------------|----------|-------------|----------|
| 5XD-85546-00 | E - 11   | 90122-06035 | B - 12   | 90201-145M4 | C - 14   | 90430-06014 | B - 2    | 90508-305B0 | C - 8    | 93210-19758 | B - 8    |
| 5TA-85550-00 | E - 9    | 90149-05162 | E - 10   | 90201-14740 | D - 5    |             | B - 7    | 91314-06030 | B - 10   | 93210-21276 | E - 11   |
| 5SF-85560-00 | E - 9    | 90149-06011 | D - 11   | 90201-15701 | C - 6    |             | B - 8    | 91314-06065 | C - 5    | 93210-22164 | C - 10   |
| 5TA-85885-00 | C - 2    | 90149-06126 | C - 5    | 90201-160F6 | D - 4    |             | C - 5    | 91314-06080 | C - 5    | 93210-32172 | C - 6    |
| 5NY-W0041-00 | E - 6    | 90149-06250 | B - 4    | 90201-162H4 | C - 8    | 90430-08119 | B - 11   | 91316-04012 | B - 13   | 93210-47675 | B - 11   |
| 5UN-W0042-50 | E - 8    | 90149-06324 | E - 9    | 90201-167P7 | C - 8    |             | C - 14   | 91317-05008 | D - 4    | 93300-60804 | C - 14   |
| 5MV-W0045-01 | D - 15   | 90149-06326 | C - 5    | 90201-20276 | C - 8    | 90430-10188 | B - 11   | 91317-06014 | E - 6    | 93306-00105 | B - 8    |
| 5UN-W0046-51 | E - 4    | 90149-06327 | D - 15   | 90201-203U1 | E - 3    |             | C - 5    | 91317-06050 | C - 5    | 93306-00426 | C - 10   |
| 3JD-W0047-00 | D - 15   | 90151-04001 | D - 4    | 90201-20685 | C - 8    | 90445-09095 | D - 11   | 91317-06060 | C - 5    | 93306-00431 | C - 10   |
| 5UN-W0047-50 | E - 4    | 90152-06010 | C - 8    | 90201-206L6 | C - 10   | 90445-09220 | D - 11   | 91317-06075 | C - 5    | 93306-07202 | E - 2    |
| 1UY-W0048-50 | D - 15   | 90154-05026 | E - 11   | 90201-247L2 | D - 8    | 90445-11185 | D - 11   | 91317-08020 | C - 4    | 93306-20335 | B - 4    |
|              | E - 4    | 90159-06078 | D - 3    | 90201-286K9 | D - 8    | 90445-112K0 | B - 2    | 91401-20012 | E - 7    | 93306-20532 | C - 10   |
| 5UN-W0057-00 | D - 15   | 90159-06092 | C - 9    | 90202-05193 | D - 11   | 90450-22017 | B - 9    | 91401-25015 | E - 7    | 93306-20593 | C - 10   |
| 5UN-W0057-50 | E - 4    | 90159-06182 | D - 3    | 90202-08045 | B - 13   |             | B - 10   | 91808-16023 | B - 2    | 93306-27205 | E - 2    |
| 5TA-W1228-00 | E - 14   | 90170-14171 | B - 4    | 90206-06090 | C - 4    | 90450-25037 | B - 9    | 91812-16001 | C - 6    | 93306-30633 | B - 4    |
| 5XE-W2587-00 | E - 6    | 90170-20327 | C - 9    | 90209-06096 | B - 12   | 90450-28014 | B - 9    | 91A20-05065 | B - 9    | 93306-90403 | D - 14   |
| 5XD-Y1475-00 | C - 4    | 90179-06500 | B - 3    | 90209-21332 | C - 10   | 90450-57004 | B - 12   | 92014-05012 | E - 10   | 93306-90501 | C - 12   |
| 5XD-Y1475-10 | C - 4    | 90179-06568 | D - 4    | 90215-14287 | B - 4    | 90450-59002 | B - 12   | 92017-10060 | C - 14   | 93310-63417 | B - 4    |
| 90101-05033  | E - 10   | 90179-10658 | C - 14   | 90215-20231 | C - 9    | 90450-61001 | B - 12   | 92907-06600 | B - 7    | 93311-62574 | B - 4    |
| 90101-06001  | C - 8    | 90179-12657 | E - 9    | 90215-21001 | C - 10   | 90461-10136 | C - 5    |             | C - 15   | 93315-32053 | D - 5    |
| 90101-06664  | C - 13   | 90179-16672 | D - 14   | 90215-21003 | C - 9    | 90462-10241 | C - 6    | 92907-08200 | D - 15   | 93315-32056 | D - 4    |
| 90101-08777  | E - 3    | 90179-20001 | C - 9    | 90240-08120 | E - 7    | 90464-13073 | E - 11   | 93101-14164 | C - 6    | 93317-11287 | C - 9    |
| 90105-06027  | B - 2    |             | C - 10   | 90240-10142 | E - 7    | 90464-13077 | E - 11   | 93102-12106 | B - 8    | 93317-22262 | D - 4    |
| 90105-06553  | C - 5    | 90179-28003 | D - 8    | 90267-32070 | B - 12   | 90465-13152 | D - 11   | 93102-12224 | C - 9    | 93332-00068 | D - 8    |
|              | C - 11   | 90183-06023 | B - 12   | 90267-48084 | C - 4    |             | E - 11   |             | C - 13   | 93332-00081 | D - 8    |
| 90105-08057  | C - 4    | 90185-08169 | E - 3    | 90280-03001 | B - 4    | 90465-13275 | E - 11   |             | E - 14   | 93340-21505 | C - 9    |
| 90105-08120  | C - 14   | 90185-10060 | D - 7    | 90338-18064 | B - 7    | 90465-16258 | E - 6    | 93102-20108 | C - 8    | 93342-22217 | D - 4    |
| 90105-08659  | D - 15   | 90185-14007 | D - 5    | 90338-18176 | C - 14   | 90467-09006 | B - 9    | 93102-26468 | D - 14   | 93410-20038 | C - 8    |
| 90105-104A7  | B - 2    | 90185-16127 | D - 4    | 90340-12112 | B - 2    | 90467-10008 | D - 11   | 93102-32480 | C - 10   | 93420-18082 | B - 4    |
| 90105-106A3  | B - 2    | 90185-20168 | E - 3    | 90340-14128 | C - 6    | 90467-11106 | B - 3    | 93106-22019 | D - 4    | 93440-10085 | C - 9    |
| 90105-10733  | C - 14   | 90201-03313 | B - 12   | 90340-32123 | C - 6    | 90467-14015 | B - 3    | 93106-30044 | E - 2    | 93440-10153 | B - 2    |
| 90109-06034  | E - 10   | 90201-06557 | D - 2    | 90387-06009 | D - 2    | 90468-16191 | E - 7    | 93106-30045 | E - 2    |             | B - 10   |
| 90109-063F8  | C - 12   | 90201-06571 | B - 9    | 90387-06065 | B - 9    | 90480-08608 | E - 3    | 93109-11073 | B - 8    | 93440-25084 | C - 10   |
| 90109-06418  | B - 7    | 90201-08089 | E - 7    | 90387-0814J | C - 4    | 90480-15528 | B - 9    | 93109-20076 | D - 4    | 93440-30077 | C - 10   |
| 90109-065G2  | B - 11   | 90201-081R9 | C - 4    | 90387-086N4 | C - 14   | 90480-18549 | D - 11   | 93109-28043 | D - 4    | 93440-41178 | B - 7    |
| 90109-065G4  | E - 4    | 90201-08326 | E - 3    | 90387-124F4 | C - 13   | 90501-043E0 | C - 7    | 93210-04122 | C - 12   | 93503-08007 | C - 7    |
| 90109-066F0  | B - 2    | 90201-08410 | C - 2    | 90387-16005 | D - 4    | 90501-052G5 | C - 13   | 93210-07003 | B - 11   | 93507-32009 | C - 8    |
| 90109-067F4  | B - 12   | 90201-08512 | B - 8    | 90387-16007 | D - 4    | 90501-06022 | C - 12   | 93210-07135 | B - 11   | 93511-32027 | C - 9    |
| 90109-081G1  | E - 3    | 90201-086P8 | C - 14   | 90387-167Y9 | D - 4    | 90501-147A5 | C - 8    | 93210-08001 | C - 15   | 93603-16219 | B - 10   |
| 90110-06058  | B - 10   | 90201-087A9 | C - 8    | 90387-18004 | D - 4    | 90501-16016 | C - 8    | 93210-09008 | B - 11   | 93604-10011 | B - 8    |
| 90110-08035  | C - 8    | 90201-10025 | B - 2    | 90387-18005 | D - 4    | 90501-237L0 | C - 9    | 93210-10197 | B - 10   | 93608-33002 | C - 13   |
| 90110-08096  | C - 14   | 90201-10118 | E - 6    | 90387-18007 | C - 5    | 90506-16500 | E - 7    |             | C - 5    | 93612-16254 | B - 3    |
| 90111-06029  | E - 8    |             | E - 8    | 90387-225N2 | E - 5    | 90508-12007 | C - 9    | 93210-11073 | E - 7    | 9383E-14215 | C - 10   |
| 90119-06001  | C - 15   | 90201-10119 | E - 7    | 90387-2513F | C - 10   | 90508-162B2 | E - 14   | 93210-12759 | B - 11   | 94108-21012 | D - 14   |
| 90119-06096  | D - 2    | 90201-104R2 | C - 14   | 90401-08038 | B - 11   | 90508-26561 | C - 12   | 93210-14369 | C - 6    | 94108-21015 | D - 14   |
| 90119-06192  | D - 2    | 90201-12166 | B - 10   | 90401-10159 | B - 11   | 90508-282B8 | E - 7    | 93210-16500 | B - 9    | 94108-2112Y | D - 14   |
| 90119-06225  | D - 2    | 90201-125L6 | C - 9    | 90401-10172 | E - 6    | 90508-282B9 | E - 7    | 93210-17570 | C - 8    | 94111-19011 | E - 2    |
| 90119-08238  | D - 3    | 90201-127E1 | E - 9    |             | E - 8    | 90508-291A8 | C - 13   | 93210-19123 | C - 6    | 94111-19012 | E - 2    |



NUMERICAL INDEX

| PART NO.    | GRID NO. | PART NO.    | GRID NO. | PART NO. | GRID NO. | PART NO. | GRID NO. | PART NO. | GRID NO. | PART NO. | GRID NO. |
|-------------|----------|-------------|----------|----------|----------|----------|----------|----------|----------|----------|----------|
| 94111-1913A | E - 2    | 95607-05100 | E - 14   |          |          |          |          |          |          |          |          |
| 94209-21229 | D - 14   | 95607-10200 | D - 7    |          |          |          |          |          |          |          |          |
| 94211-19273 | E - 2    | 95617-06635 | B - 2    |          |          |          |          |          |          |          |          |
| 94211-19274 | E - 2    | 95617-08620 | B - 2    |          |          |          |          |          |          |          |          |
| 94227-21101 | D - 14   | 95701-06500 | E - 6    |          |          |          |          |          |          |          |          |
| 94309-21161 | D - 14   | 95707-08500 | B - 2    |          |          |          |          |          |          |          |          |
| 94311-19155 | E - 2    |             | C - 14   |          |          |          |          |          |          |          |          |
| 94321-19157 | E - 2    |             | E - 3    |          |          |          |          |          |          |          |          |
| 94330-21084 | D - 14   | 95817-08012 | C - 15   |          |          |          |          |          |          |          |          |
| 94416-21003 | D - 14   | 95817-08016 | C - 15   |          |          |          |          |          |          |          |          |
| 94421-19602 | E - 2    | 95817-08030 | C - 4    |          |          |          |          |          |          |          |          |
| 94591-57118 | B - 7    | 95817-10055 | C - 14   |          |          |          |          |          |          |          |          |
| 94681-68001 | E - 3    | 95817-10160 | C - 14   |          |          |          |          |          |          |          |          |
| 94701-00410 | B - 2    | 95827-06010 | B - 9    |          |          |          |          |          |          |          |          |
| 94701-00411 | B - 2    | 95827-06012 | D - 15   |          |          |          |          |          |          |          |          |
| 94703-00410 | B - 2    | 95827-06014 | E - 14   |          |          |          |          |          |          |          |          |
| 94703-00411 | B - 2    | 95827-06016 | D - 3    |          |          |          |          |          |          |          |          |
| 95024-06010 | C - 5    | 95827-08012 | C - 14   |          |          |          |          |          |          |          |          |
| 95027-06010 | B - 2    | 97007-05016 | E - 14   |          |          |          |          |          |          |          |          |
|             | D - 4    | 97027-06012 | C - 15   |          |          |          |          |          |          |          |          |
| 95027-06012 | B - 9    | 97027-06016 | B - 7    |          |          |          |          |          |          |          |          |
|             | B - 11   | 97707-60016 | D - 2    |          |          |          |          |          |          |          |          |
|             | C - 9    | 97801-03008 | D - 11   |          |          |          |          |          |          |          |          |
|             | C - 15   | 98502-04012 | B - 13   |          |          |          |          |          |          |          |          |
|             | E - 4    | 98507-05010 | E - 8    |          |          |          |          |          |          |          |          |
| 95027-06014 | D - 8    | 98507-05020 | E - 5    |          |          |          |          |          |          |          |          |
| 95027-06016 | D - 11   |             | E - 14   |          |          |          |          |          |          |          |          |
|             | E - 4    | 98507-06025 | C - 5    |          |          |          |          |          |          |          |          |
| 95027-06020 | B - 11   | 98706-04012 | E - 6    |          |          |          |          |          |          |          |          |
|             | C - 13   | 98707-06025 | D - 11   |          |          |          |          |          |          |          |          |
|             | D - 8    | 98907-06025 | D - 11   |          |          |          |          |          |          |          |          |
| 95027-06025 | B - 7    | 98980-06008 | C - 4    |          |          |          |          |          |          |          |          |
|             | B - 9    | 99001-08600 | B - 10   |          |          |          |          |          |          |          |          |
|             | B - 10   | 99009-12400 | B - 10   |          |          |          |          |          |          |          |          |
| 95027-06030 | B - 8    | 99009-16400 | C - 8    |          |          |          |          |          |          |          |          |
|             | C - 6    | 99009-20400 | C - 8    |          |          |          |          |          |          |          |          |
| 95027-06035 | B - 3    |             | C - 10   |          |          |          |          |          |          |          |          |
| 95027-06040 | C - 6    | 99009-22500 | C - 6    |          |          |          |          |          |          |          |          |
| 95027-06050 | D - 4    | 99009-45500 | E - 2    |          |          |          |          |          |          |          |          |
| 95027-06065 | B - 11   | 99530-08012 | B - 10   |          |          |          |          |          |          |          |          |
| 95027-06080 | C - 6    | 99530-08016 | C - 6    |          |          |          |          |          |          |          |          |
| 95027-08020 | D - 15   | 99530-10114 | B - 10   |          |          |          |          |          |          |          |          |
| 95027-08035 | D - 8    |             | C - 5    |          |          |          |          |          |          |          |          |
| 95027-08040 | C - 14   | 99530-10116 | C - 5    |          |          |          |          |          |          |          |          |
|             | D - 8    | 99530-14016 | C - 5    |          |          |          |          |          |          |          |          |
| 95027-08065 | C - 14   | 9Y581-92111 | E - 3    |          |          |          |          |          |          |          |          |
| 95027-10016 | C - 5    | 9Y581-92113 | E - 3    |          |          |          |          |          |          |          |          |
| 95607-05100 | E - 10   |             |          |          |          |          |          |          |          |          |          |